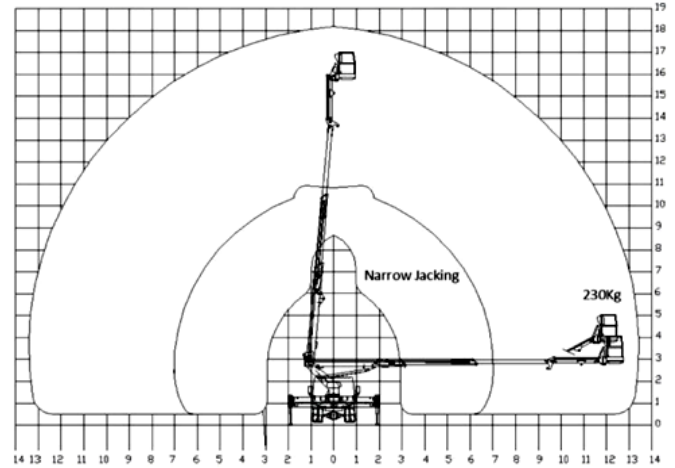




Ascendant I8-13TJ Truck Mounted Telescopic Access Platform



Special features

3 stage telescopic boom plus 2.0m flyboom with 125° operating arc.

Proportional hydraulic controls at platform and base.

Engine stop start at platform and base controls.

One-sided jacking facility.

DC emergency lower plus hand-pump emergency operation.

Jacks/boom and PTO/handbrake interlocks.

Warning lights for:

- booms not stowed
- jacks not stowed
- outreach limit
- Jack mode indicator

Vehicle specifications

Maximum working height	18.0m
Maximum platform height	16.0m
Max. working outreach	13.0m
Outreach with narrow jacking	7.0m
SWL	230kg
Platform dimensions	0.73 x 1.4 x 1.1m
Platform rotation	160°
Jack width	3.8m
One sided jack option	2.9m
Narrow jack option	2.0m

Typical chassis

GVW.....	3500kg
Wheelbase	3400mm
Travel length	7.0m
Travel width	2.3m
Travel height	3.0m

