



DC ELECTRIC RT SERIES **Rough Terrain** SCISSOR LIFTS

The DC Powered Rough Terrain Scissor Lifts take efficiency and terrainability to a new level. Eight 6 volt batteries drive the 48 volt DC electric motor and provide limitless power all day. The highly innovative and efficient electromechanical drive system also provides variable speed proportional drive/lift controls. These units offer 30% gradeability are drivable up to 7,9m and offer capacities up to 681kg.

Slide out or swing out battery trays, and Skyjack's standard colour coded and numbered wiring system provides superior serviceability.

DC ELECTRIC RT SERIES

Rough Terrain Scissor Lifts

Specifications	SJ 6832E	SJ 8831	SJ 8841E
A Work Height	11,8 m	11,4 m	14,5 m
B Raised Platform Height	9,8 m	9,4 m	12,5 m
C Lowered Platform Height	1,4 m	1,5 m	1,8 m
D Overall Width	1,7 m	2,2 m	2,2 m
E Overall Length	2,5 m	3,5 m	3,5 m
F Stowed Height (Rails Up)	2,5 m	2,7 m	2,9 m
G Stowed Height (Rails Down)	2,1 m	2,0 m	2,2 m
H Platform Width (Inside Dimension)	1,4 m	1,7 m	1,7 m
I Platform Length (Inside Dimension)	2,1 m	3,4 m	3,4 m
Deck Extension	0,9 m	1,2 m	1,2 m
Ground Clearance	0,2 m	0,2 m	0,2 m
Wheelbase	1,9 m	2,3 m	2,3 m
Weight	2787 kg	5411 kg	6033 kg
Gradeability	30%	30%	30%
Turning Radius (Inside)	1,9 m	4,0 m	4,0 m
Turning Radius (Outside)	4,2 m	6,3 m	6,3 m
Lift Time (With Rated Load)	60 sec	62 sec	56 sec
Drive Speed (Stowed)	3,2 km/h	4,8 km/h	4,2 km/h
Drive Speed (Raised)	0,85 km/h	0,34 km/h	0,34 km/h
Maximum Drive Height	7,9 m	Full	Full
Capacity (Overall)	454 kg	908 kg	681 kg
Maximum # of Persons	3	6	4

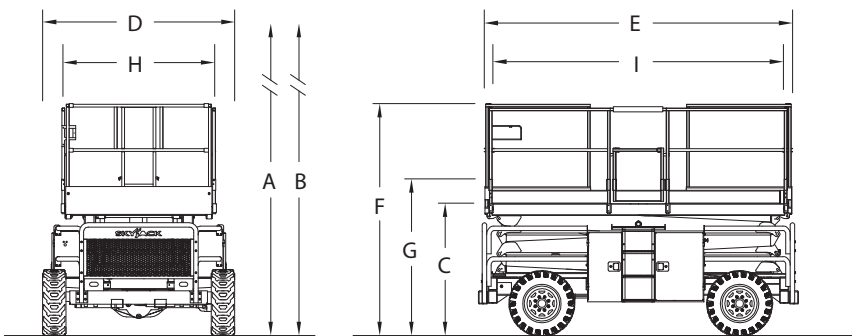
STANDARD FEATURES

- Axle based drive system
- Disc brake system on rear axle
- 48V DC power with swing out battery tray
- Self-centering scissor design
- Dual 1,2 m roll out extension decks (88XXE's only)
- 0,9 m roll out extension deck (6832E only)
- Analog control system
- Colour coded and numbered wiring system
- 30% Gradeability
- Foam-filled tyres
- Wiring for AC outlet on platform
- Tilt alarm with drive & lift cut-out
- Overload sensing system
- Lowering warning system
- Operator horn
- Fold down hinged railing system
- Half height spring hinged gates on sides (88XXE's only)
- Lanyard attachment points
- Scissor guards
- Tie down/lift lugs

OPTIONS†

- 4WD (88XXE's only)
- 1,2 m powered extension decks (88XXE's only)
- Independent/auto leveling outriggers
- Shop airline to platform
- Full height spring hinged gates
- Non-marking foam-filled tyres
- All motion audible alarm

† Capacities, and machine weights may differ when options are added



Head Office
Westside, London Road,
Hickstead, West Sussex,
RH17 5LZ

T 01444 88 11 88
F 01444 88 11 99
E hiredesk@facelift.co.uk
W facelift.co.uk

facelift
access and safety made easy