

129TV Compact

MERCEDES 311CDIF - 3.5 T p. mt. 4.03

Range TV

Cod. PRP1148A

Description:

Telescopic platform on a Van, fully hydraulic with high specifications of strength, reliability and easy maintenance. Specifically designed to fulfill the high standard of quality requested by professional users, ensuring a long working life and a high residual value.

Performances:

| | | |
|----------------------------|-----------|-----------------------------|
| Working height mt. | | 12.90 |
| Max load in the basket kg. | ♣ ♣ ♣ | 120 |
| Max working outreach mt. | ♣ ♣ ♣ | 6.00 |
| Turret rotation ° | | Continuous |
| Hose track | | Internal |
| Controls in the basket | | Hydraulic with single lever |

Platform specifications:

| | |
|----------------------------------|-----------|
| Steel basket dimensions mt. | 1.40x0.70 |
| Fiberglass basket dimensions mt. | 1.20x0.70 |
| Basket rotation ° | No |
| Front outriggers | Vertical |
| Back outriggers | |
| Foot plate gauge min. mt. | 1.67 |
| Jib slewing angle | No |



Assembling:

This assembly represents the compact version where the outrigger width is retained within the dimension of the vehicle mirrors, maximizing the advantages of the narrow dimensions of the unit.

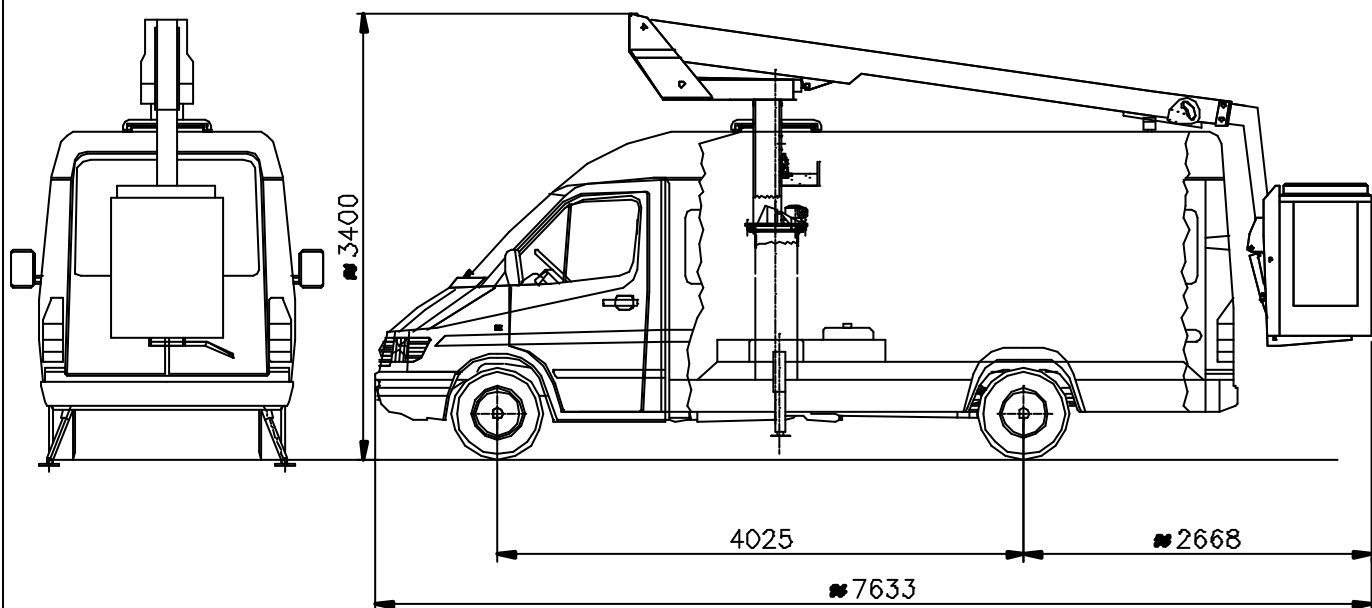
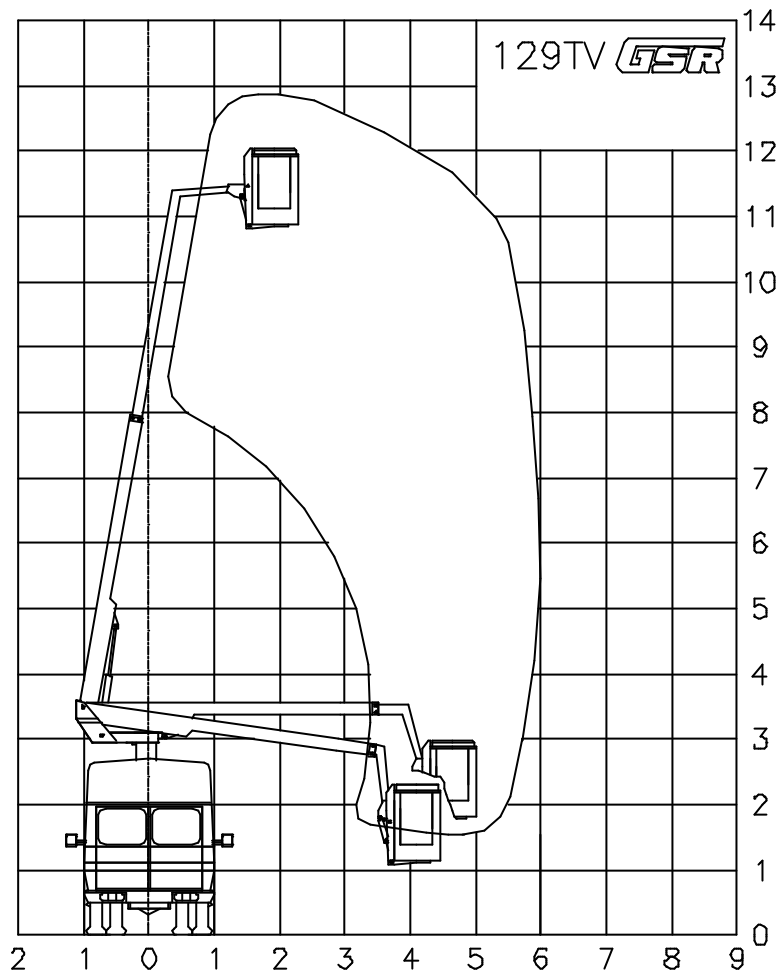
Plate: Anti-slip aluminium plate

Body: The assembly on the chassis includes all the bodywork as mudguards, under-run protection, painting and finishing.

Standards CE certificate

Accessories: It is available a very wide range of accessories, many of them already included in the standard machine. It is recommended to contact our sales network for more information.

Other type of assembling and different vehicles: We are in position to propose the same machine with different type of assembly and / or on different types of vehicles. Contact our sales organization to obtain information about all the possible solutions that we are able to offer.



APPROXIMATE DATA – TECHNISCHE ANDERUNGEN VORBEHALTEN
 DONNEES INDICATIVES – DATI INDICATIVI

A) Modificato TI 22-03-01 EF

AGGIORNAMENTI MODIFICHE

| | |
|-------------------------------------|---|
| <input type="checkbox"/> | H |
| <input type="checkbox"/> | G |
| <input checked="" type="checkbox"/> | F |

| | |
|--------------------------------|--------|
| SAFE WORKING LOAD | 120 KG |
| NENNTRAGFAHIKKGKEIT IM KORB | |
| CHARGE NOMINALE DANS LE PANIER | |
| PORTATA NOMINALE IN NAVICELLA | |



DENOMINAZIONE
 129TV Compact
 MERCEDES 311CDI-3,5t

DATA 02-12-99
 CODICE PRP1148