

## Range TJ

Cod. PRP1133

### Description:

Telescopic platform with Jib, fully hydraulic with high specifications of strength, reliability and easy maintenance. Specifically designed to fulfill the high standard of quality requested by professional users, ensuring a long working life and a high residual value.

### Performances

Working height mt.		17.50
Max load in the basket kg.	† †   †	250
Max working outreach mt.	† †   †	13.35
Turret rotation °		Continuous
Hose track		External
Controls in the basket		Hydraulic with single levers

### Platform specifications

Steel basket dimensions mt.	1.80x0.80
Fiberglass basket dimensions mt.	1.40x0.70
Basket rotation °	60 + 85
Front outriggers	Inclined
Back outriggers	Inclined
Foot plate gauge min. mt.	2.95



### Assembling

This assembly represents the "multipurpose" version with outriggers slightly outside the vehicle mirrors width. The excellent capacity of levelling allows however high performances and operational possibilities.

### Body

Purposely designed assembly to optimize functionality and utilization

### Standards

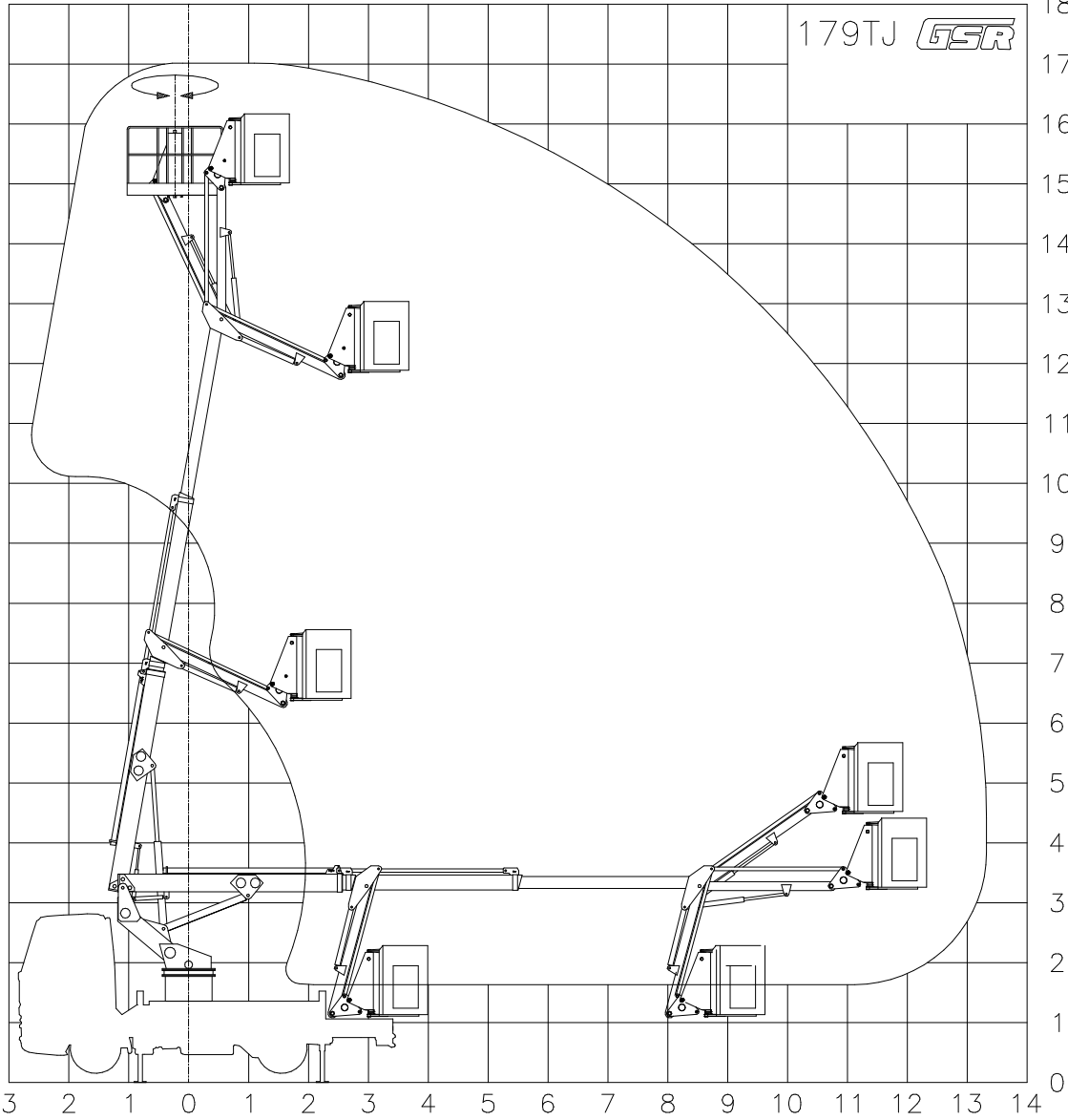
CE certificate

### Accessories

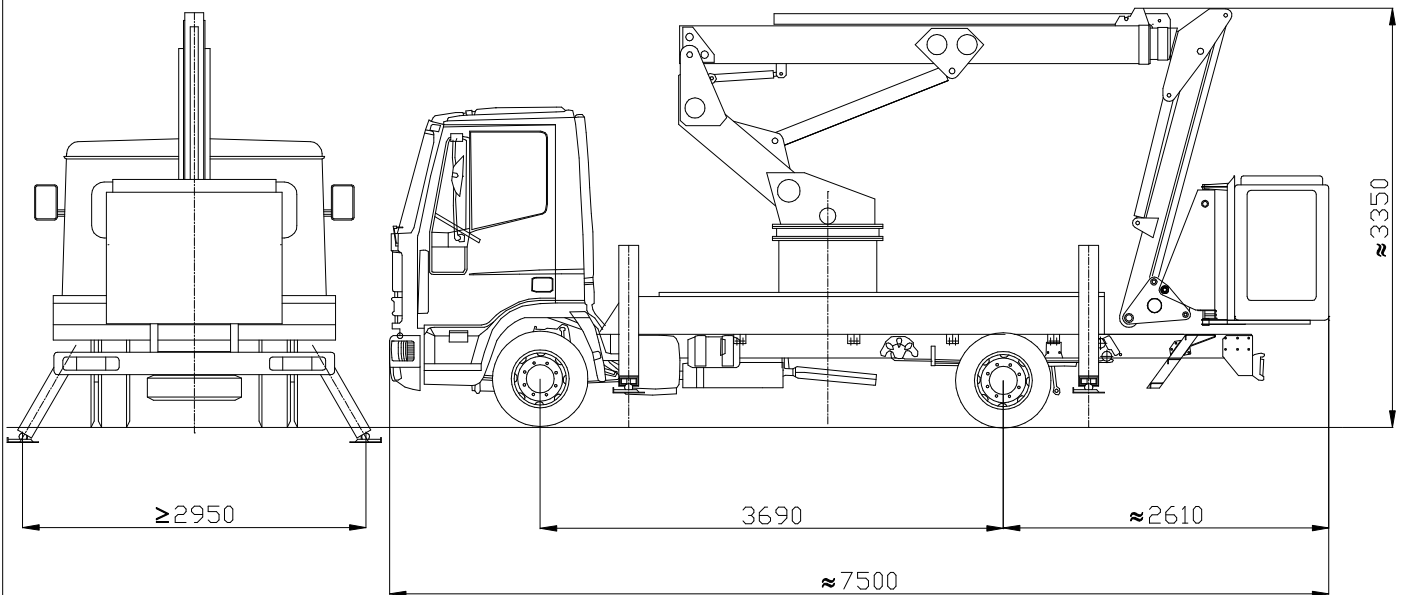
There are available a wide range of accessories, many of them are already included as stand machine. It is recommended to contact our sales network for more information.

### Other types of assembling and different vehicles

We are in position to propose the same machine with different type of assembly and / or on different types of vehicles. Contact our sales organization to obtain information about all the possible solutions that we are able to offer.



APPROXIMATE DATA - TECHNISCHE ANDERUNGEN VORBEHALTEN  
 DONNEES INDICATIVES - DATI INDICATIVI



AGGIORNAMENTI MODIFICHE  
 C H  
 B G  
 A F

SAFE WORKING LOAD	 250 KG
NENNTRAGFAHIGKEIT IM KORB	
CHARGE NOMINALE DANS LE PANIER	
PORTATA NOMINALE IN NAVICELLA	



DENOMINAZIONE  
 179TJ Basic  
 IVECO 75 E 15 - 7.5 T

DATA 12/10/1999  
 CODICE PRP1133