



Aerial Work Platform Super Series™

AWP™ SUPER SERIES™

○ The maintenance and construction personnel lift with more features and options than ever.





The standard features you want from the ma



Rocker Base System

The Genie AWP Super Series' exclusive six-point wheel and caster system offers unmatched maneuverability around corners and over thresholds and jobsite debris.

Ground Controls

LED lights confirm proper set-up of outriggers. Indicator lights signal a low battery. Platform can be lowered from the ground. Locking key switch prevents unauthorized use.

Platform Controls

All AC and DC models are equipped with an auxiliary platform lowering feature that enables descent from the Platform or Ground Controls in the event of a power failure. Large control buttons include a dual-activated up/down switch. The Ground Fault Interrupt power receptacle provides for safe, convenient use of power tools. Safety and instructional decals are clearly visible.



Small Outrigger Footprints

Outrigger design allows for easy positioning - as close as 3 in (8 cm) from walls.

Easy Loading

The AWP Super Series is easier to load in pickup trucks than any other personnel lift in the industry.

Overhead Crane Attachment Point

A steel bracket located on the mast provides an attachment point for crane transport.



Doorway Access

Models up to 30 ft (9.1 m) roll easily through standard doorways without being tilted back.

The patented gas shock tilt back system provides easy access through standard doorways for 36 and 40 ft (11 and 12.2 m) models. A tilt back option is available for Standard Base AWP-20S/25S/30S models.

Narrow Base Models of 20, 25 and 30 ft (6.1, 7.6 and 9.1 m) easily manage entries as small as 23 x 79 1/2 in (58 cm x 2 m).



Wide Forklift Pockets

5 3/4 x 2 3/4 in (15 x 7 cm) pockets for convenient forklift transport.

Outrigger storage pockets

Secure the outriggers during loading and transport.

Tie-Downs

Sturdy tie-downs are provided for ease of transport.



manufacturer you trust.

Only the Genie AWP Super Series gives you this many choices.

Look up to Genie and you'll see the next generation of aerial work platform equipment. The AWP Super Series continues to lead the industry in maneuverability and it features the most rigid mast to date. Our heavy duty lifting chains have a safety factor of greater than 10 to 1. The chains are used throughout the entire mast system for strength, reliability and low maintenance. Plus, the AWP Super Series offers the largest selection of model heights and options available. An advanced construction and maintenance tool, the Genie AWP is also easy to transport and operate. The Super Series is designed to meet or exceed ANSI A-92.3, CSA, CE and AS safety standards.

After more than 20 years, Genie Aerial Work Platforms are still at the top of their class.

More people choose Genie's AWP than all other manufacturers combined. (Based on EMI data.)



Standard Base



Narrow Base



Rough Terrain Base

Choose from three bases.

All three of the AWP Super Series bases are available with these models: AWP-20S, AWP-25S and AWP-30S. The AWP-36S and AWP-40S models are available with the standard base.



Removable battery box features separate compartments for the battery and charger.



Power Options

AC Power Options

Available in 110/50-60 Hz and 220/50-60 Hz.

DC Power Options

All DC models include a charging system enclosed in a removable, gimbal-mounted battery pack for convenient off-site charging.

Available in:

- 110V/60Hz, with an automatic “smart” charging system.
- 110/230V 50/60Hz Worldwide model with a voltage adjustable, hertz compensating, automatic “smart” charging system.

Airmotor Power

available on AWP-30S only

- | | US | Metric |
|--------------------------------|--------|------------------------|
| ▪ Power | 1.5 hp | 1.1 kw |
| ▪ Required air supply flow | 80 cfm | 2.27 m ³ /m |
| ▪ Required air supply pressure | 80 psi | 5.5 bar |



The Gated Narrow Platform easily fits through ceiling tile.



The Narrow Fiberglass Platform is the smallest fiberglass platform available.

The largest selection of platforms in the industry.

Standard Platform

The 27 x 26 inch (69 x 66 cm) sliding mid-rail entry platform is the largest standard sized platform in the industry. Excellent for general purposes, it is standard equipment with both Standard and Rough Terrain Base Models.

Platform Options

Gated Standard Platform

This 27 x 26 in (69 x 66 cm) gated platform provides “step-in” entry.

Gated Ultra Narrow Platform

The 22 x 18 in (56 x 46 cm) gated platform is the narrowest available.

Gated Narrow Platform

The 26 x 20 in (66 x 51 cm) gated platform is ideal for access through standard ceiling tile and other small openings. (Standard equipment with Narrow Base models.)

Standard Fiberglass Platform

Measures 29 x 26 1/2 in (74 x 67 cm).

Narrow Fiberglass Platform

Measures 26 x 22 in (66 x 56 cm).

On Narrow Base models, only Gated Narrow, Gated Ultra Narrow and Narrow Fiberglass Platforms are available.



Standard Platform
Gated Narrow Platform not pictured.



Gated Standard Platform



Gated Ultra Narrow Platform

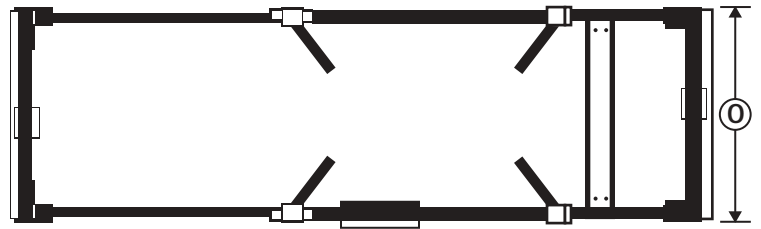


Fiberglass Standard Platform

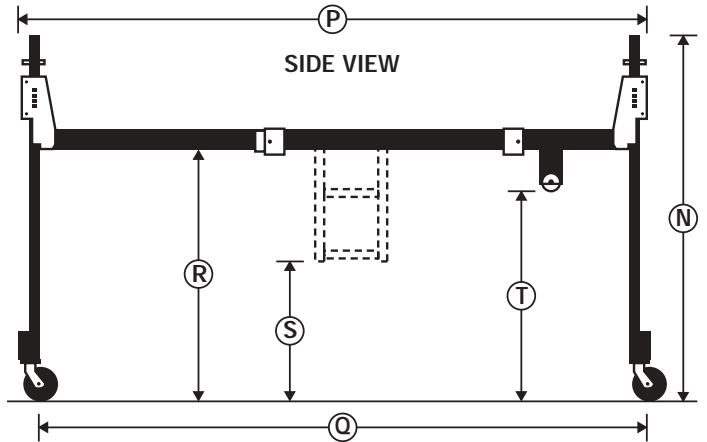


Fiberglass Narrow Platform

AWP™ SUPER SERIES™



TOP VIEW



SIDE VIEW

The Genie Super Straddle

The perfect tool for working over fixed seating in places such as auditoriums and convention, manufacturing and auto maintenance centers. The Super-Straddle is easy to use and assembles without tools. It provides up to 40 in (1 m) of vertical clearance. End frames adjust for leveling on floors sloping up to 6 degrees.

Options and accessories to make your work easier and more efficient.

Fluorescent Tube Caddy

Provides a safe and convenient storage pocket for fluorescent lights.

Tool Tray

An easily mounted and convenient location for your tools in the platform.

Platform-Locating Laser Light

Attaches directly to the platform and projects light on the overhead work area, allowing you to position the unit directly beneath it.

Operational Warning Light and Descent Alarm Package

The light is activated when the keyswitch is turned on. The alarm alerts personnel when the platform is being lowered.

AWP 20S/25S/30S Tilt Back Option

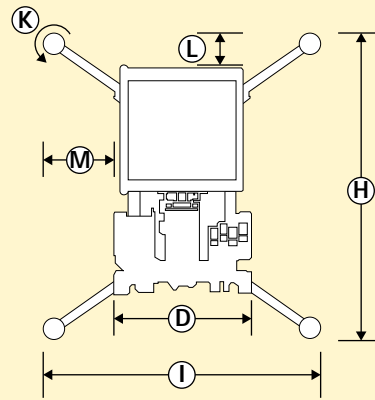
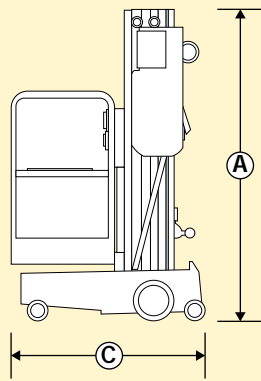
The patented gas shock tilt back system is standard for AWP-36S/40S Models and optional for AWP-20S/25S/30S Models. Allows units to be transported through shorter doorways and under obstructions. *Not available on Narrow Base, Rough Terrain Base or Airmotor Models.*

Narrow Base Conversion Kit

The field assembly kit allows you to convert your AWP Super Series Rough Terrain Model into a Narrow Base Model.

Rough Terrain Base Conversion Kit

The field assembly kit allows you to convert your AWP Super Series Narrow Base Model into a Rough Terrain Model.



Specifications continued on back cover

Platform Dimensions (l x w x h)

	US	Metric		US	Metric
Standard Platform	27x26x44 3/4 in	69x66x114 cm	Gated Narrow Platform	26x20x44 3/4 in	66x51x114 cm
Gated Standard Platform	27x26x44 3/4 in	69x66x114 cm	Gated Ultra-Narrow Platform	22x18x44 3/4 in	56x46x114 cm
Standard Fiberglass Platform	29x26 1/2 x 43 1/2 in	74x67x110 cm			
Narrow Fiberglass Platform	26x22x43 1/2 in	66x56x110 cm			

Models

AWP-20S US

Metric

AWP-25S US

Metric

AWP-30S US

Metric

Rough Terrain Base

Machine weight (DC/AC models)	750/660 lb	340/299 kg	784/694 lb	356/315 kg	819/729 lb	371/331 kg
(A) Height, stowed	79 in	2 m	79 in	2 m	79 in	2 m
(C)/(D) Length/Width	58/30 in	1.47 m/76 cm	58/30 in	1.47 m/76 cm	58/30 in	1.47 m/76 cm

Narrow Base⁴

Machine weight (DC/AC models)	745/655 lb	338/297 kg	780/690 lb	354/313 kg	814/724 lb	369/328 kg
(A) Height, stowed	78 in	1.98 m	78 in	1.98 m	78 in	1.98 m
(C)/(D) Length/Width	50/22 in	1.27 m/56 cm	52/22 in	1.32 m/56 cm	55/22 in	1.4 m/56 cm

Rough Terrain and Narrow Bases

(H)/(I) Outrigger footprint (l/w) ANSI	64/48 in	1.63/1.22 m	64/48 in	1.63/1.22 m	72/58 in	1.83/1.47 m
(H)/(I) Outrigger footprint (l/w) CSA ¹	75/66 in	1.9/1.68 m	83/74 in	2.1/1.88 m	95/90 in	2.4/2.3 m
(H)/(I) Outrigger footprint (l/w) CE Indoor ²	71/58 in	1.8/1.47 m	71/58 in	1.8/1.47 m	83/74 in	2.1/1.88 m
(H)/(I) Outrigger footprint (l/w) CE Outdoor ²	112/112 in	2.84/2.84 m	112/112 in	2.84/2.84 m	130/136 in	3.3/3.45 m
(K) Corner access ³ ANSI	14 in	36 cm	13 in	33 cm	19 in	48 cm
(K) Corner access ³ CSA ¹	25 in	64 cm	29 in	74 cm	38 in	97 cm
(K) Corner access ³ CE indoor ²	21 in	53 cm	20 in	51 cm	27 1/2 in	70 cm
(K) Corner access ³ CE outdoor ²	54 in	1.37 m	52 in	1.32 m	61 in	1.55 m
(L)/(M) Wall access front/side ANSI	9/12 in	23/30 cm	6/12 in	15/30 cm	7/17 in	18/43 cm
(L)/(M) Wall access front/side CSA ¹	14/20 in	36/51 cm	15/25 in	38/64 cm	19/33 in	48/84 cm
(L)/(M) Wall access front/side CE indoor ²	12/17 in	30/43 cm	10/17 in	25/43 cm	9/20 in	23/51 cm
(L)/(M) Wall access front/side CE outdoor ²	32/44 in	81 cm/1.12 m	29/44 in	74 cm/1.12 m	35/55 in	89 cm/1.4 m

¹ Canadian Standards Association, ² European Community, ³ Corner of platform top rail to corner of wall with ability to rotate leveling jack handle. ⁴ On Narrow Base models only Gated Narrow, Gated Ultra-Narrow and Narrow Fiberglass Platforms are available.

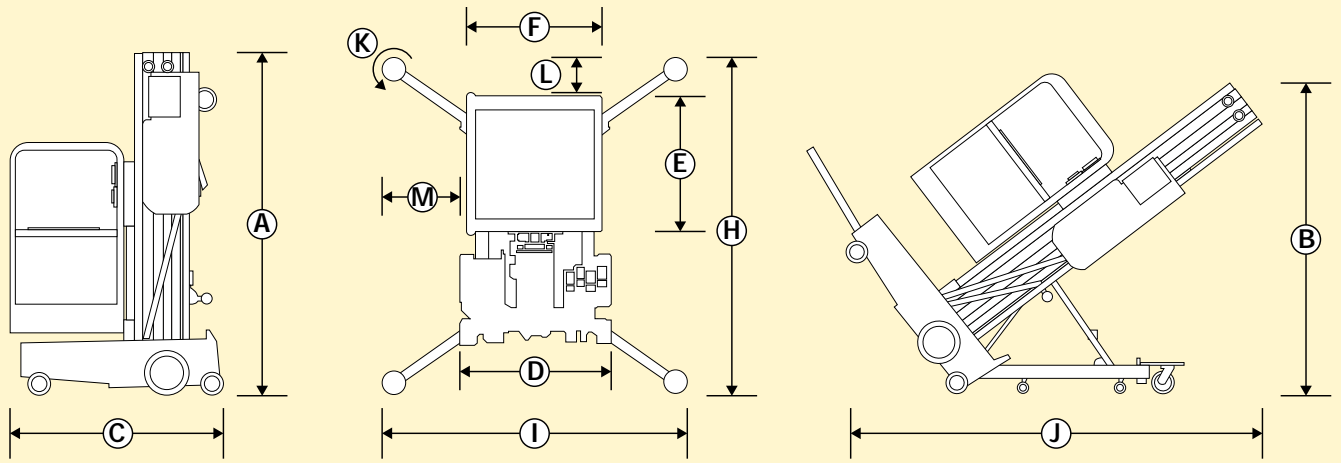
Super-Straddle Specifications

	US	Metric
(N) Height	70 in	1.8 m
(O) Width	38 in	97 cm
(P) Length	9 ft 1 in - 10 ft 8 in	2.77 - 3.25 m
(Q) Wheelbase	8 ft 8 in - 10 ft 8 in	2.64 - 3.25 m
(R) Straddle clearance	4 ft	1.22 m
(S) Height to ladder	27 in	69 cm
(T) Height to fixed wheel	40 in	1 m
Storage dimensions	80 x 37 x 24 in	2 m x 94 cm x 61 cm
Weight	576 lb	261 kg

Airmotor Specifications

available on AWP-30S only

	US	Metric
Power	1.5 hp	1.1 kw
Required air supply flow	80 cfm	2.27 m ³ /m
Required air supply pressure	80 psi	5.5 bar



Specifications

Models	AWP-20S US		AWP-25S US		AWP-30S US		AWP-36S US		AWP-40S US	
		Metric		Metric		Metric		Metric		Metric
Working height max.*	26 ft 1 in	8.1 m	30 ft 9 in	9.5 m	35 ft 6 in	11 m	42 ft 5 in	13.1 m	46 ft 3 in	14.3 m
Platform height max.	20 ft 1 in	6.1 m	24 ft 9 in	7.5 m	29 ft 6 in	9 m	36 ft 6 in	11.1 m	40 ft 3 in	12.3 m
Lift capacity ANSI, CE	350 lb	159 kg	350 lb	159 kg	350 lb	159 kg	350 lb	159 kg	300 lb	136 kg
Lift capacity CSA	300 lb	136 kg	300 lb	136 kg	300 lb	136 kg	300 lb	136 kg	300 lb	136 kg
Power source DC/AC models	12V/110V or 220V		12V/110V or 220V		12V/110V or 220V		12V/110V or 220V		12V /110V or 220V	
Standard Base										
Machine weight (DC/AC models)	767/677 lb	348/307 kg	817/727 lb	371/330 kg	867/777 lb	393/352 kg	1107/1017 lb	502/461 kg	1130/1040 lb	513/472 kg
(A) Height, stowed	78 in	1.98 m	78 in	1.98 m	78 in	1.98 m	109 ½ in	2.8 m	109 ½ in	2.8 m
(B) Height, tilted back ¹	70 in	1.78 m	72 ½ in	1.84 m	74 ½ in	1.9 m	75 ½ in	1.92 m	78 in	1.98 m
(C)/(D) Length /Width	49/29 in	124/74 cm	51 ½ /29 in	130/74 cm	53/29 in	135/74 cm	55/29 in	140/74 cm	56/29 in	142/74 cm
(H)/(I) Outrigger footprint (l/w) ANSI	61/53 in	1.55/1.35 m	61/53 in	1.55/1.35 m	69/61 in	1.75/1.55 m	83/75 in	2.1/1.9 m	89/81 in	2.26/2.06 m
(H)/(I) Outrigger footprint (l/w) CSA ²	69/61 in	1.75/1.55 m	83/75 in	2.1/1.9 m	97/89 in	2.46/2.26 m	117/110 in	3/2.8 m	117/110 in	3/2.8 m
(H)/(I) Outrigger footprint (l/w) CE Indoor ³	61/53 in	1.55/1.35 m	69/61 in	1.75/1.55 m	76/68 in	1.93/1.73 m	83/75 in	2.1/1.9 m	89/81 in	2.26/2.06 m
(H)/(I) Outrigger footprint (l/w) CE Outdoor ³	97/89 in	2.46/2.26 m	117/110 in	3/2.8 m	117/110 in	3/2.8 m	139/131 in	3.53/3.33 m	153/145 in	3.9/3.7 m
(J) Length, tilted back	83 in	2.1 m	83 in	2.1 m	83 in	2.1 m	117 in	3 m	117 in	3 m
(K) Corner access ⁴ ANSI	15 in	38 cm	14 in	36 cm	19 in	48 cm	29 in	74 cm	31 in	79 cm
(K) Corner access ⁴ CSA ²	20 in	51 cm	29 in	74 cm	37 in	94 cm	52 in	1.32 m	51 in	1.3 m
(K) Corner access ⁴ CE indoor ³	15 in	38 cm	19 in	48 cm	22 in	56 cm	29 in	74 cm	31 in	79 cm
(K) Corner access ⁴ CE outdoor ³	19 in	48 cm	30 in	76 cm	27 in	69 cm	40 in	1 m	44 in	1.1 m
(L)/(M) Wall access ANSI front/side	6/13 in	15/33 cm	3/13 in	8/33 cm	5/17 in	13/43 cm	14/25 in	36/64 cm	15/28 in	38/71 cm
(L)/(M) Wall access CSA ² front/side	10/17 in	25/43 cm	14/25 in	36/64 cm	19/32 in	48/81 cm	31/42 in	79/107 cm	29/42 in	74/107 cm
(L)/(M) Wall access CE indoor ³ front/side	6/13 in	15/33 cm	7/17 in	18/43 cm	8/21 in	20/53 cm	14/25 in	36/64 cm	15/28 in	38/71 cm
(L)/(M) Wall access CE outdoor ³ front/side	19/32 in	48/81 cm	29/42 in	74/107 cm	27/42 in	69/107 cm	40/52 in	1/1.3 m	44/60 in	1.1/1.5 m

Specifications continued inside back cover

¹Tilt back height with standard platform. For tilt back height with other platforms, please contact your sales representative. ²Canadian Standards Association. ³European Community ⁴Corner of platform top rail to corner of wall with ability to rotate leveling jack handle. *The metric equivalent of working height adds 2 m to platform height. U.S. adds 6 ft to platform height.