



Optimal productivity

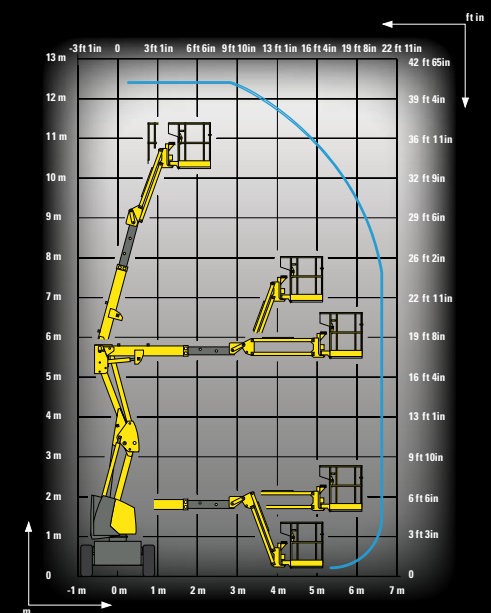
- Up to 4 simultaneous and proportional movements
- Large platform of 1,50m

Excellent manoeuvrability in the tightest spaces

- Narrow turning radius
- Zero tailswing

Outstanding rough terrain driving features

- 4 wheel drive
- Differential wheel lock
- Ground clearance of 26 cm / 11 in

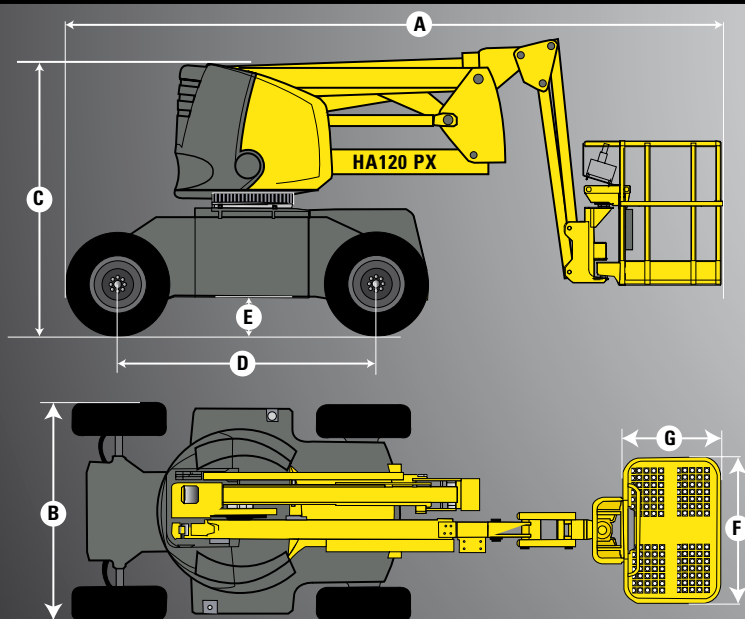


facelift
access and safety made easy



HA120 PX

Rough terrain articulating booms



TECHNICAL DATA

HA120 PX

Working height	12.4 m
Platform height	10.4 m
Horizontal outreach	6.6 m
Up and over clearance	5.7 m
Lift capacity	230 kg
Platform size	1,5 x 0,8 m
A - Length	5.5 m
B - Width	1.9 m
C - Height - stowed	2.2 m
Vertical jib rotation	140° (+70/-70)
Platform rotation	180° (+90/-90)
Turntable rotation	350°
Tailswing	0 cm
D - Wheelbase	1.92 m
E - Ground clearance	26 cm
Tilt	5°
Drive speed	0,7 - 5 km/h
Gradeability	45 %
Turning radius - outside	3.85 m
Tires - foam-filled	10,5/80-18
Power source	21 kW - 28,5 CV
Weight	5620 kg

STANDARD EQUIPMENT

- Simultaneous and proportional movements for optimal productivity
- 4 wheel drive
- Ergonomic control panel
- Safe to use in winds up to 45km/h / 28mph
- Tilt controller
- Load Managing System in the platform
- Automatic platform levelling
- 12V - 95A starting battery
- Towing hooks and lifting eyes
- Free wheeling device
- Mechanical turret slewing hook
- Emergency hand pump
- Horn
- Hourmeter

OPTIONS AND ACCESSORIES

- Rotating beacon
- Travel alarm
- Working light
- Electric socket in the platform
- Circuit-breaker
- Biodegradable hydraulic oil
- Auxiliary power in the platform for emergency descent
- Platform of 1,2 x 0,8 m (3 ft 11 in x 2 ft 7 in)



Haulotte Group -

Head Office
Westside, London Road,
Hickstead, West Sussex,
RH17 5LZ

T 01444 88 11 88
F 01444 88 11 99
E hiredesk@facelift.co.uk
W facelift.co.uk

Haulotte 
GROUP

facelift
access and safety made easy