

H 14 TX H 16 TPX



- 34 ft 9 in (10.6 m) and 40 ft 4 in (12.3 m) horizontal outreach.
- Max. load capacity: 230 kg (507 lb).
- Standard 4 wheel drive.
- 15 in (37 cm) ground clearance.



H 14 TX H 16 TPX

Telescopic booms

The Haulotte® advantages

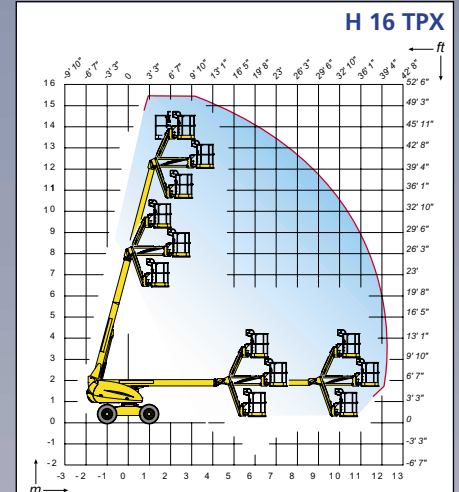
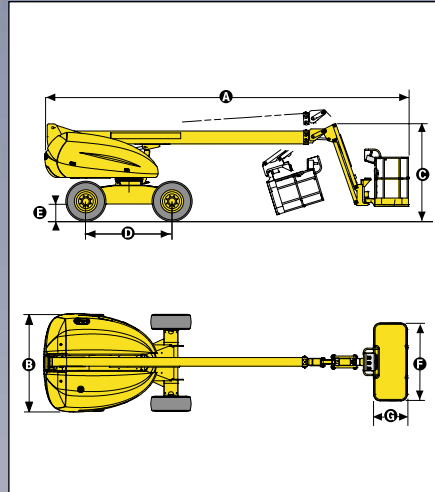
- Hydraulic differential lock, standard 4 wheel drive, 15 in (37 cm) ground clearance improve rough terrain capability
- H 16 TPX : improved working area through a positive / negative articulating fly jib with 140° movement (-70° / +70°)
- Continuous 360° turntable rotation
- 180° hydraulic platform rotation
- Compact travel/transport dimensions
- Full proportional controls and simultaneous boom functions improve productivity
- Robust, reliable and easy to maintain design

STANDARD FEATURES

- Deutz diesel engine
- 4 wheel drive and 2 back steering wheels
- 5° tilt alarm
- 12 V electrical control system
- 12 V – 92 AH – 760 A battery
- Free wheeling device
- Load limiter in cage
- Electric emergency lowering system
- Hourmeter
- Slewing block pin
- Towing hooks / lifting eyes
- 2 hooks for safety harness in platform
- Horn

OPTIONS & ACCESSORIES

- H 16 TPX: large platform: 7 ft 6 in x 2 ft 7 in (2.3 m x 0.8 m)
- Power line to cage
- Rotating beacon
- Working light
- Motion alarm
- Encoded starting device
- Biodegradable oil
- Catalytic exhaust



SPECIFICATIONS

	H 14 TX		H 16 TPX	
Working height	14.15 m	46 ft 5 in	15.44 m	50 ft 8 in
Platform height	12.15 m	40 ft	13.44 m	44 ft 1 in
Horizontal outreach	10.6 m	34 ft 9 in	12.3 m	40 ft 4 in
Platform capacity	230 kg	507 lb	230 kg	507 lb
Fly jib range of motion	n/a	n/a	140° (-70° / +70°)	
Jib length	n/a	n/a	1.5 m	59 in
A Length	7.60 m	24 ft 11 in	8.42 m	27 ft 8 in
B Width	2.3 m	7 ft 6 in	2.3 m	7 ft 6 in
C Stowed height	2.21 m	7 ft 3 in	2.21 m	7 ft 3 in
D Wheelbase	1.99 m	6 ft 6 in	1.99 m	6 ft 6 in
E Ground clearance	37 cm	15 in	37 cm	15 in
F x G Platform size	2.3 m x 0.8 m	91 in x 32 in	1.8 m x 0.8 m	71 in x 32 in
Travel/transport length	7.60 m	24 ft 11 in	6.71 m	22 ft
Travel/transport height	2.21 m	7 ft 3 in	2.50 m	8 ft 2 in
Tailswing	0.8 m	32 in	0.8 m	32 in
Drive speed	6 km/h	3.7 mph	6 km/h	3.7 mph
Outside turning radius (wheel)	4.80 m	15 ft 9 in	4.80 m	15 ft 9 in
Turntable rotation – continuous	360°	360°	360°	360°
Hydraulic platform rotation	180°	180°	180°	180°
Engine	Diesel Deutz F 3L 1011 F - 28 kW - 38CV			
Controls	Proportional		Proportional	
Gradeability	50%		50%	
Tyres (Foam Filled)	Sks Hauler - 14 - 17.5		Sks Hauler - 14 - 17.5	
Hydraulic tank	150 l	33 gallons	150 l	33 gallons
Fuel tank	150 l	33 gallons	150 l	33 gallons
Weight	6040 kg	13,315 lb	6800 kg	14,990 lb

