

## JLG 600 SERIES



- Choice of models with working heights from 20 m to 22 m \*
- Fast boom and drive speeds improve work productivity
- Multiple simultaneous boom functions get you to the job quicker
- Proportional controls achieve smoother movement for operator comfort
  - Excellent manoeuvrability for positioning of machine and platform
  - Handle the roughest of terrain with increased engine power

\* Model 600S & 600SJ - 20 m working height  
Model 660SJ - 22 m working height

For more details check the JLG Technical Specification Guide or ask your local JLG representative.



### Oscillating axle option for tough travel

Provides increased traction when travelling.



### Controls designed for ease of operation

Easier to operate when positioning and controlling movement.



### Articulating Jib\*

Allows for greater versatility when positioning the platform around obstacles.  
\* Models 600SJ and 660SJ.



### Diagnostic Ground Control Console

Console features three-dimensional decal plus diagnostic maintenance sensors.



### Low mount platform access

Step-in entry height and high strength railings provide operator both convenience and security.



### Greater serviceability

Improved access with an engine swing-out tray.

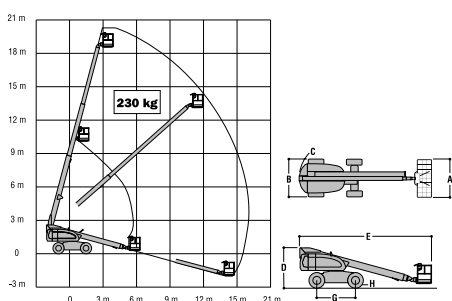
# 600 SERIES TELESCOPIC BOOM LIFTS

|                                  | 600S                      | 600SJ                     | 660SJ                     |
|----------------------------------|---------------------------|---------------------------|---------------------------|
| Platform Height                  | 18.29 m                   | 18.29 m                   | 20.12 m                   |
| Horizontal Outreach              | 15.09 m                   | 15.34 m                   | 17.30 m                   |
| Swing (Continuous)               | 360°                      | 360°                      | 360°                      |
| Platform Capacity – Unrestricted | 230 kg                    | 230 kg                    | 230 kg                    |
| Platform Rotator (Hydraulic)     | 160°                      | 180°                      | 180°                      |
| Jib – Overall Length             | —                         | 1.83 m                    | 1.83 m                    |
| Jib - Range of articulation      | —                         | 130°<br>(+70°/-60°)       | 130°<br>(+70°/-60°)       |
| A. Platform Size                 | 0.91 m x 1.83 m           | 0.91 m x 1.83 m           | 0.91 m x 1.83 m           |
| B. Overall Width                 | 2.44 m                    | 2.44 m                    | 2.44 m                    |
| C. Tailswing (working condition) | 1.14 m                    | 1.14 m                    | 1.14 m                    |
| D. Stowed Height                 | 2.56 m                    | 2.56 m                    | 2.56 m                    |
| E. Overall Length                | 8.61 m                    | 10.16 m                   | 10.84 m                   |
| F. Stowed Length                 | 8.61 m                    | 9.55 m                    | 10.31 m                   |
| G. Wheelbase                     | 2.48 m                    | 2.48 m                    | 2.48 m                    |
| H. Ground Clearance              | 0.30 m                    | 0.30 m                    | 0.30 m                    |
| Gross Vehicle Weight*            | 10,800 kg                 | 11,525 kg                 | 13,115 kg                 |
| Maximum Ground Bearing Pressure  | 4.22 kg/cm <sup>2</sup>   | 4.36 kg/cm <sup>2</sup>   | 4.96 kg/cm <sup>2</sup>   |
| Maximum Tyre Load                | 5,354 kg                  | 5,626 kg                  | 6,455 kg                  |
| Drive Speed 2WD                  | 7.2 km/h                  | 7.2 km/h                  | 7.2 km/h                  |
| Drive Speed 4WD                  | 6.4 km/h                  | 6.4 km/h                  | 6.4 km/h                  |
| Gradeability 2WD                 | 30%                       | 30%                       | 30%                       |
| Gradeability 4WD                 | 45%                       | 45%                       | 45%                       |
| Tyres                            | 15 x 19.5 Foam Filled     | 15 x 19.5 Foam Filled     | 15 x 19.5 Foam Filled     |
| Axle Oscillation (optional)      | 0.20 m                    | 0.20 m                    | 0.20 m                    |
| Turning Radius – Inside 2WS      | 3.66 m                    | 3.66 m                    | 3.66 m                    |
| Turning Radius – Inside 4WS      | 1.65 m                    | 1.65 m                    | 1.65 m                    |
| Turning Radius – Outside 2WS     | 5.41 m                    | 5.41 m                    | 5.41 m                    |
| Turning Radius – Outside 4WS     | 3.45 m                    | 3.45 m                    | 3.45 m                    |
| Diesel Engine                    | 48.5 kW<br>Deutz F4M1011E | 48.5 kW<br>Deutz F4M1011E | 48.5 kW<br>Deutz F4M1011E |
| Fuel Tank Capacity               | 147.6 L                   | 147.6 L                   | 147.6 L                   |
| Hydraulic Reservoir              | 117.3 L                   | 117.3 L                   | 117.3 L                   |
| Auxiliary Power                  | 12V DC                    | 12V DC                    | 12V DC                    |

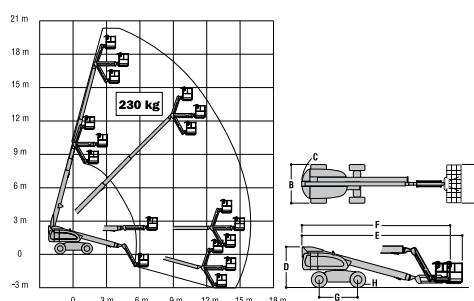
\*Certain options or country standards will increase weight.

Specifications may change to meet country standards or with the addition of optional equipment.

## JLG MODEL 600S



## JLG MODEL 600SJ



## JLG MODEL 660SJ

