

**Model**  
**LE Series**  
**ELECTRIC**  
**SCISSOR LIFT**

**facelift**  
access and safety made easy

**JLG**

**Features**

65 x 115 in. (1.65 x 2.92 m) Work Platform  
Full Time ATC—JLG Automatic Traction Control System  
Oscillating Axle  
Proportional Direct DC Electric Drive  
Proportional Lift Up  
110V-AC Receptacle in Platform  
240/55-17.5 Foam-Filled Non-Marking Tires  
8 x 6V, 370 amp-hr Batteries  
3 ft Roll-Out Deck Extension  
On-Board Diagnostics with Common JLG Analyzer  
Forklift-Able Battery Compartments with Quick Disconnect Couplings  
Fold-Down Hand Rails  
Moveable, Removable Platform Console Box  
23 Amp Automatic, SCR Battery Charger  
Battery Charge Indicator in Platform  
3 Degree Tilt Indicator Light and Alarm  
All Motion Alarm  
Manual Descent  
Tie Down Lugs  
Hourmeter  
Horn

**Accessories & Options**

110V AC Power Pack (Generator)  
Flashing Amber Beacon  
Sand/Turf Tires  
Hydraulic Leveling Jacks  
Platform Work Lights  
QuikCharge GenSet  
All-Wheel Drive



**Superior Performance On or Off Slab**

- Rugged all-terrain tires and available all-wheel drive
- Full-time Automatic Traction Control and oscillating axle
- Optional hydraulic leveling jacks for uneven terrain

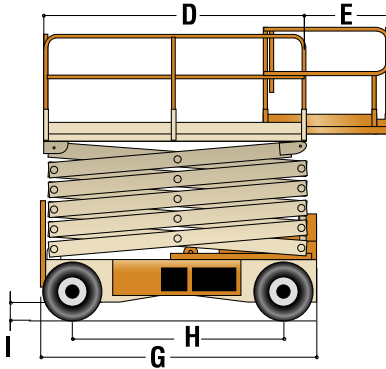
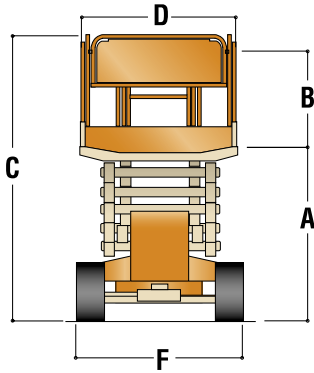
**Power to Stay On the Job Longer**

- Double the duty cycles of competitive electric scissor lifts
- Exclusive QuikCharge GenSet option provides automatic charging system for continuous operation
- Provides better fuel efficiency to lower costs and increase uptime

**High Capacities and Cleaner Operation**

- Holds up to 1,000 lb on the platform (Model 3369LE) and 250 lb on the platform extension
- Zero emissions and quiet operation for sensitive indoor applications

### Specifications



#### Dimensions

A. Platform Height—Elevated	
3369LE	33 ft (10.06 m)
4069LE	40 ft (12.19 m)
Platform Height—Lowered	
3369LE	5 ft 6.5 in. (1.69 m)
4069LE	5 ft 9 in. (1.75 m)
B. Platform Railing Height	3 ft 7.5 in. (1.10 m)

C. Overall Height—Rails Up	
3369LE	9 ft (2.74 m)
4069LE	9 ft 2.5 in. (2.81 m)
Overall Height—Rails Lowered	
3369LE	6 ft 5 in. (1.96 m)
4069LE	6 ft 7 in. (2.0 m)
D. Platform Size	65 x 115 in. (1.65 x 2.92 m)
E. Platform Extension	3 ft (91 cm)
F. Overall Width	5 ft 9 in. (1.75 m)
G. Overall Length	10 ft 2 in. (3.1 m)
H. Wheelbase	7 ft 6.5 in. (2.3 m)
I. Ground Clearance	8 in. (20 cm)
Platform Capacity	
3369LE	1,000 lb (454 kg)
4069LE	800 lb (362 kg)
Capacity on Platform Extension	250 lb (113 kg)
Lift/Lower Time	
3369LE	38/42 sec
4069LE	54/50 sec
Maximum Drive Height	
3369LE	Full Height
4069LE	30 ft (9.14 m)
Weight*	
3369LE	9,760 lb (4,427 kg)
4069LE	10,560 lb (4,790 kg)
Ground Bearing Pressure	
3369LE	57 PSI (4.01 kg/cm <sup>2</sup> )
4069LE	61 PSI (4.29 kg/cm <sup>2</sup> )

#### Chassis

Drive Speed—Elevated	0.4 mph (.64 kmph)
Drive Speed—Lowered	3.0 mph (4.8 kmph)
Gradeability (2WD/4WD)	35%/45%
Turning Radius (Inside)	90 in. (2.29 m)
Turning Radius (Outside)	186 in. (4.72 m)
Tire Size/Type	240/55-17.5 Non-Marking
Brakes	Spring Applied Hydraulically Released Discs

#### Power Source

Batteries	8 x 6V, 370 amp-hr
Charger	21 Amp, Automatic SCR Charger
Electric Pump Motor	Series Wound
Drive Motors	Two 5.5 hp Shunt Wound
Pump	Single Section Gear Pump
Hydraulic Reservoir	8.5 gal. (32.18 L)
Generator Set (Multi-power Options)	
	Fully Automatic, 45 Amp Kubota
	6 hp Air-Cooled Engine
Engine Fuel Tank	4 gal. (15.14 L)

\*Certain options or country standards will increase weight.



*Optional All-Wheel Drive Provides Superior Performance On or Off Slab*

#### The JLG "1 & 5" Warranty

JLG Industries, Inc. backs its products with its exclusive "1 & 5" Warranty. We provide coverage on all products for one (1) full year, and cover all specified major structural components for five (5) years. Due to continuous product improvements, we reserve the right to make specification and/or equipment changes without prior notification. This machine meets or exceeds applicable OSHA Regulations in 29 CFR 1910.67, 29 CFR 1926.453, ANSI A92.6-2006, and CSA Standard CAN3-B354.2-M82, as originally manufactured for intended applications.