



### Features

- New entry level model from Bronto's XDT modular design family
- Easy to use straight telescopic boom with fixed cage boom
- Rigid profile design and high tensile steel for superior boom stiffness
- Geometric outreach control for virtually zero tolerance
- Energy chain cartridge system for fast and easy maintenance inside the boom
- Mounted onto 4x2 or 4x4 18 tonnes chassis
- Zero tail swing
- Automatic outrigger levelling

- Fully variable outrigger jacking
- Variable cage load with optimised outreach
- 2 x 90 degrees cage slewing
- SWL of 700 kg
- Fault finding system

### Optional items

- Boom and cage winch options
- Changeable working cage options (e.g. rotating TV camera cage)
- Over 200 other custom features optionally available
- GSM telecontrol for fault finding and remote calibration



# S 44 XDT

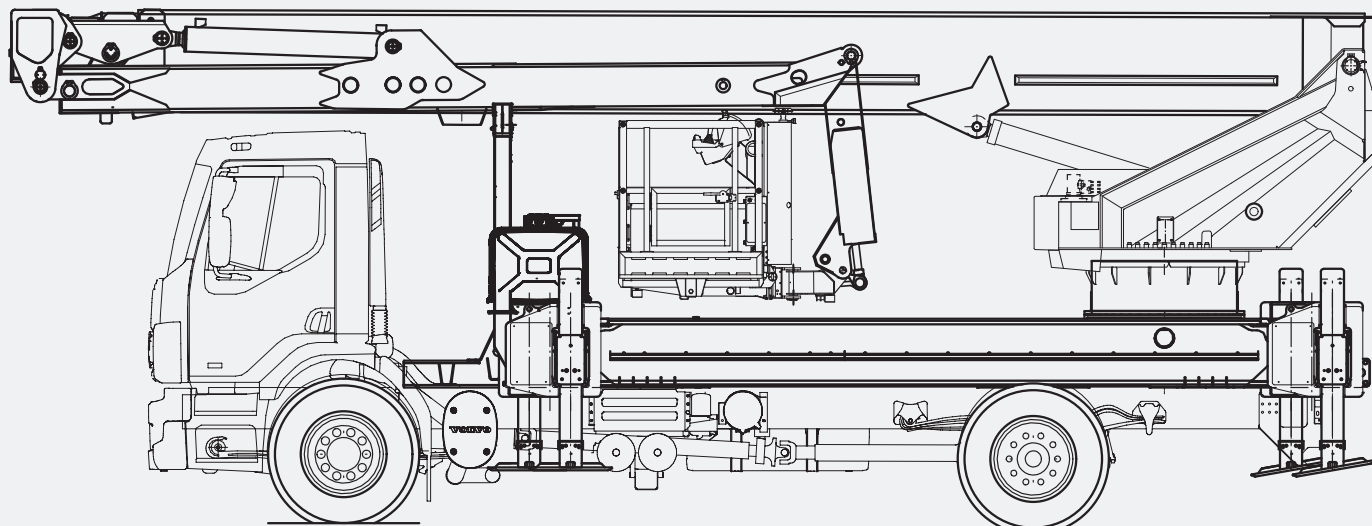
XDT RANGE


Bronto Skylift - Above All

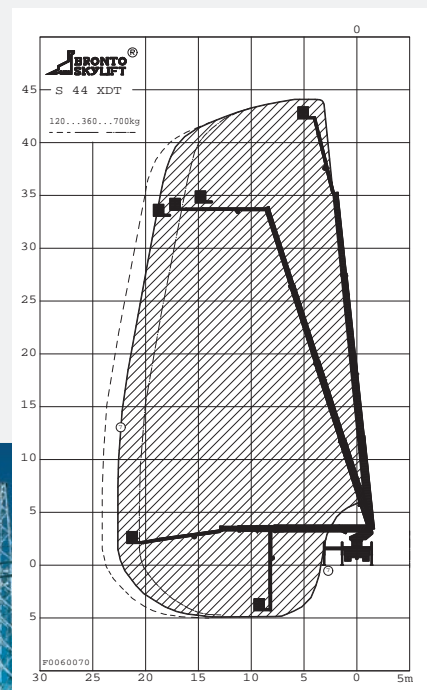
**facelift**  
access and safety made easy

Above all

# S 44 XDT



	Technical data
Max. working height	44 m
Max. working side outreach	24 m
Safe working cage load	700 kg
Working cage dimensions	1,05 m X 2,4 m (3,7 m)
Working cage slewing (deg)	90 / 90
Outrigger width (c/c)	6,2 m
Transport height, approx.	3,75 m
Transport length, below	<10 m
Typical gross vehicle weight, GVW (depending on chassis)	<18 t
Chassis (layout above)	VOLVO FEE 42R/4x2/5000
Variable jacking	Standard
Automatic levelling	Standard
Geometric outreach	Standard



# S 44 XDT

**Head Office**  
 Westside, London Road,  
 Hickstead, West Sussex,  
 RH17 5LZ

T 01444 88 11 88  
 F 01444 88 11 99  
 E hiredesk@facelift.co.uk  
 W facelift.co.uk

**facelift**  
 access and safety made easy