

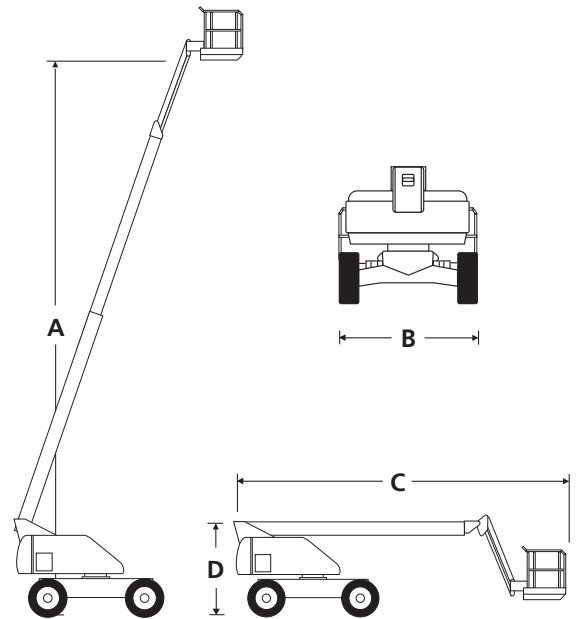
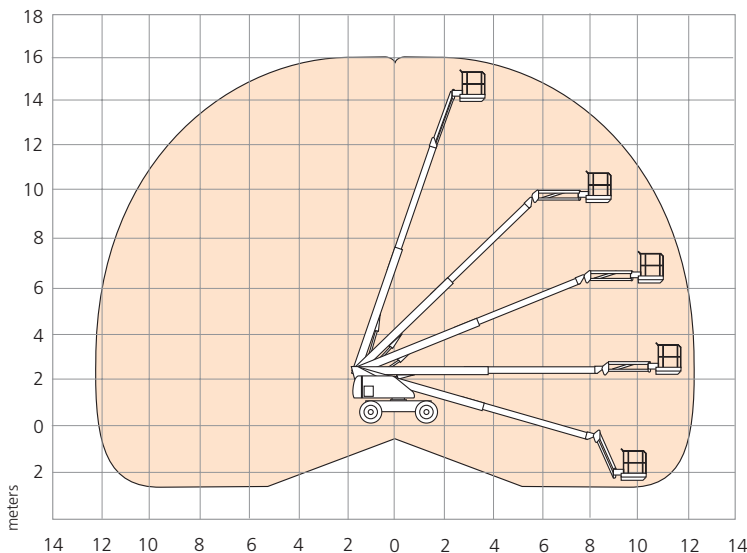
| DIMENSIONS               | T40RT        | T46JRT       |
|--------------------------|--------------|--------------|
| Max. working height      | 14.2m        | 16.0m        |
| Max. platform height (A) | 12.2m        | 14.0m        |
| Max. working outreach    | 10.1m        | 12.2m        |
| Platform size            | 2.44m x 1.0m | 2.44m x 1.0m |
| Overall width (B)        | 2.44m        | 2.44m        |
| Stowed length (C)        | 7.57m        | 8.6m         |
| Stowed height (D)        | 2.4m         | 2.4m         |
| Wheelbase                | 2.44m        | 2.44m        |
| Ground clearance         | 360mm        | 360mm        |

| PERFORMANCE                 |                                     |           |
|-----------------------------|-------------------------------------|-----------|
| Platform capacity           | 272kg                               | 227kg     |
| Max. drive height           | 12.2m                               | 14.0m     |
| Max. drive speed (stowed)   | 7.5km/h                             | 7.5km/h   |
| Max. drive speed (elevated) | 1.1km/h                             | 1.1km/h   |
| Jib length                  | n/a                                 | 1.8m      |
| Jib arc                     | n/a                                 | 140°      |
| Raise/lower time            | 64/58 sec                           | 64/58 sec |
| Gradeability                | 45%                                 | 40%       |
| Inside turning radius       | 1.37m                               | 1.37m     |
| Outside turning radius      | 4.57m                               | 4.57m     |
| Tyres                       | 355/55 D625 high grip, poly-filled  |           |
| Controls                    | proportional drive, raise and slew  |           |
| Drive system                | 4 wheel drive with oscillating axle |           |

| POWER                |                             |        |
|----------------------|-----------------------------|--------|
| Power source         | Kubota V1505T diesel 44.2Hp |        |
| Auxillary power unit | 12V DC                      | 12V DC |

| WEIGHT       |         |        |
|--------------|---------|--------|
| Gross weight | 6,486kg | 7030kg |

## WORKING ENVELOPE



## STANDARD FEATURES

- 4 wheel drive
- Oscillating front and rear axle
- Swing-out engine tray
- Tilt alarm and cut-out
- Horn
- Power line to platform (no sockets)
- Hour meter
- DC emergency operation
- Three entry cage
- Flashing amber beacon
- CE approved

## OPTIONS

- Special paint colors
- 1.82m x 0.99m cage
- Platform work lights
- Hydraulic generator
- Compressed airline to platform
- Platform overload protection
- Steel cowling covers