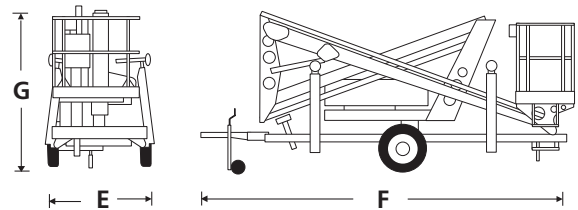
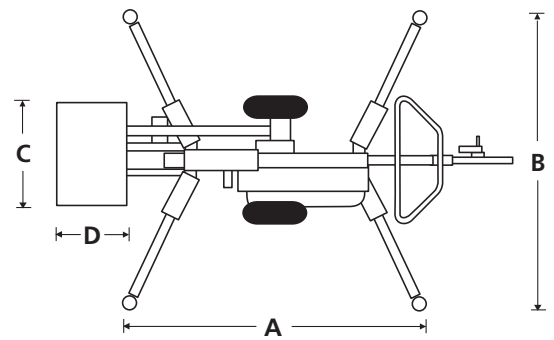


DIMENSIONS	TL34
Max. working height	12.2m
Max. platform height	10.2m
Max. working outreach	5.0m
Platform width (C)	1.20m
Platform depth (D)	0.80m
Outrigger footprint (A x B)	3.60m x 3.60m
Towing width (E)	1.50m
Towing length (F)	5.20m
Stowed height (G)	2.20m

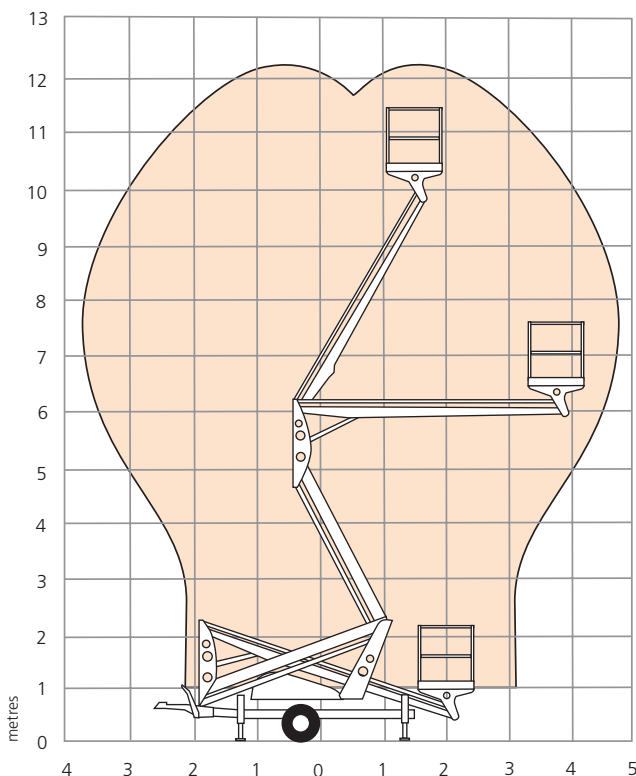
PERFORMANCE	
Platform capacity (SWL)	215kg
Turret rotation (non-continuous)	360°
Wheels	165/80 R13
Controls	Full pressure hydraulic proportional

POWER	
Power source	12V DC motor
Battery	2 x 6V 225Ah

WEIGHT	
Gross weight	1300kg



WORKING ENVELOPE



STANDARD FEATURES

- Manual fold-down outriggers
- Load sensing outrigger interlocks with LED indicators
- Power-save descent feature
- Proportional live hydraulic controls at cage
- Secondary controls at chassis
- Automatic reverse and over-run braking
- Power line to platform (no sockets)
- Integral road lighting board
- Integrated automatic battery charger 110-230V
- CE approved

OPTIONS

- Special paint colours
- Hydraulic outriggers