

## DIMENSIONS TL37J

Max. working height	13.2m
Max. platform height	11.2m
Max. working outreach	5.9m
Platform width (C)	1.20m
Platform depth (D)	0.80m
Outrigger footprint (A x B)	3.60m x 3.00m
Towing width (E)	1.48m
Towing length (F)	6.40m
Stowed height (G)	1.95m

## PERFORMANCE

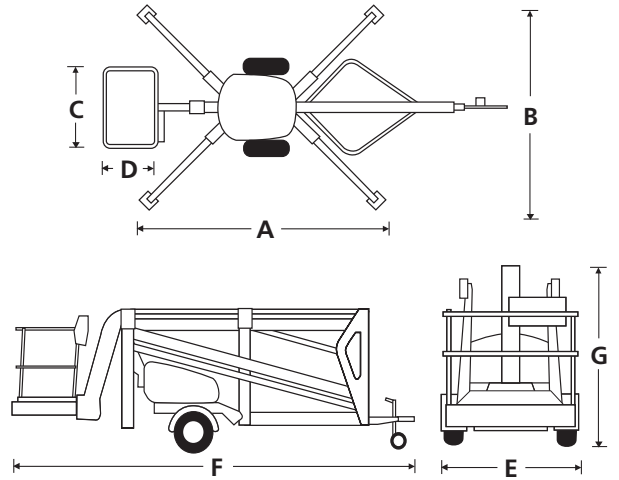
Platform capacity (SWL)	215kg
Jib length	1.3m
Jib arc	130°
Platform rotation	160°
Turret rotation (non-continuous)	640°
Wheels	165/80 R13
Controls	hydraulic proportional

## POWER

Power source	24V battery (4 x 6V 195Ah batteries)
Power options	bi-energy (petrol & battery) power or 230V mains

## WEIGHT

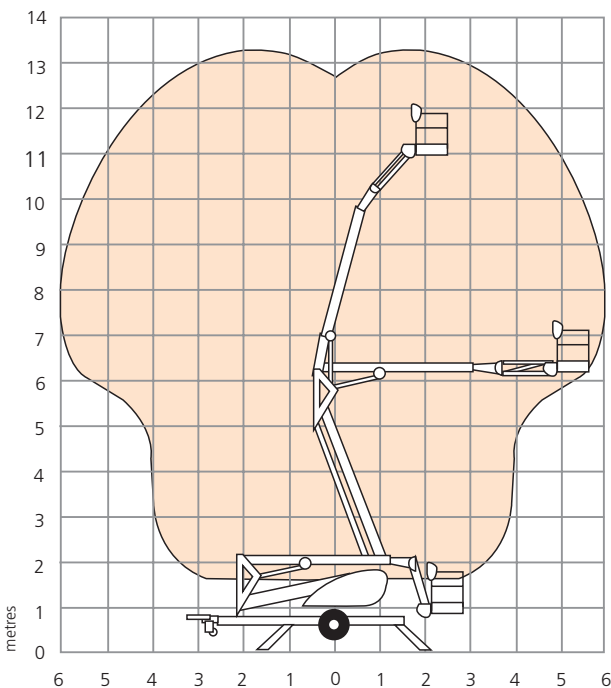
Gross weight (battery model)	1,450kg
------------------------------	---------



## STANDARD FEATURES

- 1.3m jib with 130° working arc
- In-line boom design for maximum rigidity
- 160° powered platform rotation
- Cycle protection guards
- Hand pump emergency lowering from platform
- Power line to platform (no sockets)
- Proportional live hydraulic controls
- Automatic reversing and overrun braking
- Integral road lighting board
- 24V battery (4 x 6V 195ah batteries) or 230V mains power
- CE approved

## WORKING ENVELOPE



## OPTIONS

- Special paint colours
- Hydraulic friction drive assist system
- On-board 230V generator for mains powered units
- Bi-Energy (petrol and DC battery) power
- GRP platform