

DIMENSIONS TL39

Max. working height	13.8m
Max. platform height	11.8m
Max. working outreach	6.4m
Platform width (C)	1.15m
Platform depth (D)	0.70m
Outrigger footprint (A x B)	4.0m x 3.6m
Towing width (E)	1.60m
Towing length (F)	4.90m
Stowed height (G)	2.20m
Guardrail height	1.10m
Toeboard height	0.15m

PERFORMANCE

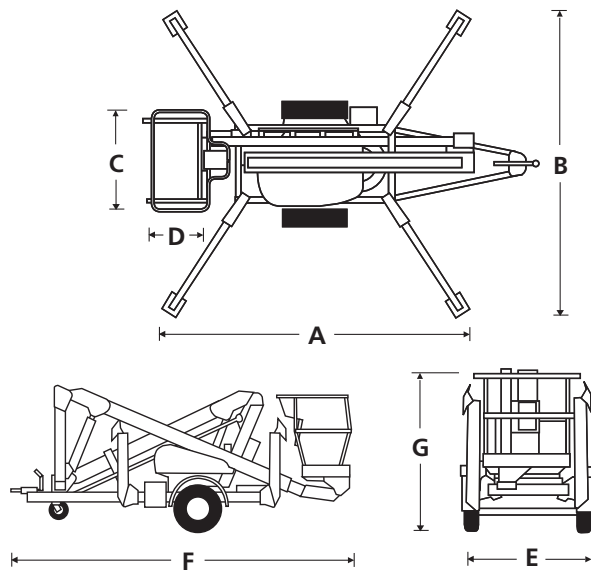
Platform capacity (SWL)	215kg
Turret rotation (non-continuous)	540°
Wheels	185R14 C8
Controls	electric over hydraulic, variable speed

POWER

Power source	24V DC motor
Battery	4 x 6V, 225Ah

WEIGHT

Gross weight (DC)	1,694kg
Gross weight (Bi-energy)	1,740kg



STANDARD FEATURES

- Hydraulic outriggers
- Load sensing outrigger interlocks
- Articulating / telescopic boom configuration
- Electric controls at cage and base
- Power line to platform (no sockets)
- Automatic reverse and over-run braking
- Integrated automatic battery charger 110-230V
- CE approved

OPTIONS

- Special paint colours
- Auto-level outriggers with LED indicators
- 180° manual platform rotator
- Platform work lights
- Air line to platform
- Flashing amber beacon
- Spare wheel
- Lifting lugs
- Alternative power sources:
 - Mains electric
 - Gasoline or diesel engine
 - Bi-Energy (DC & IC engine)

WORKING ENVELOPE

