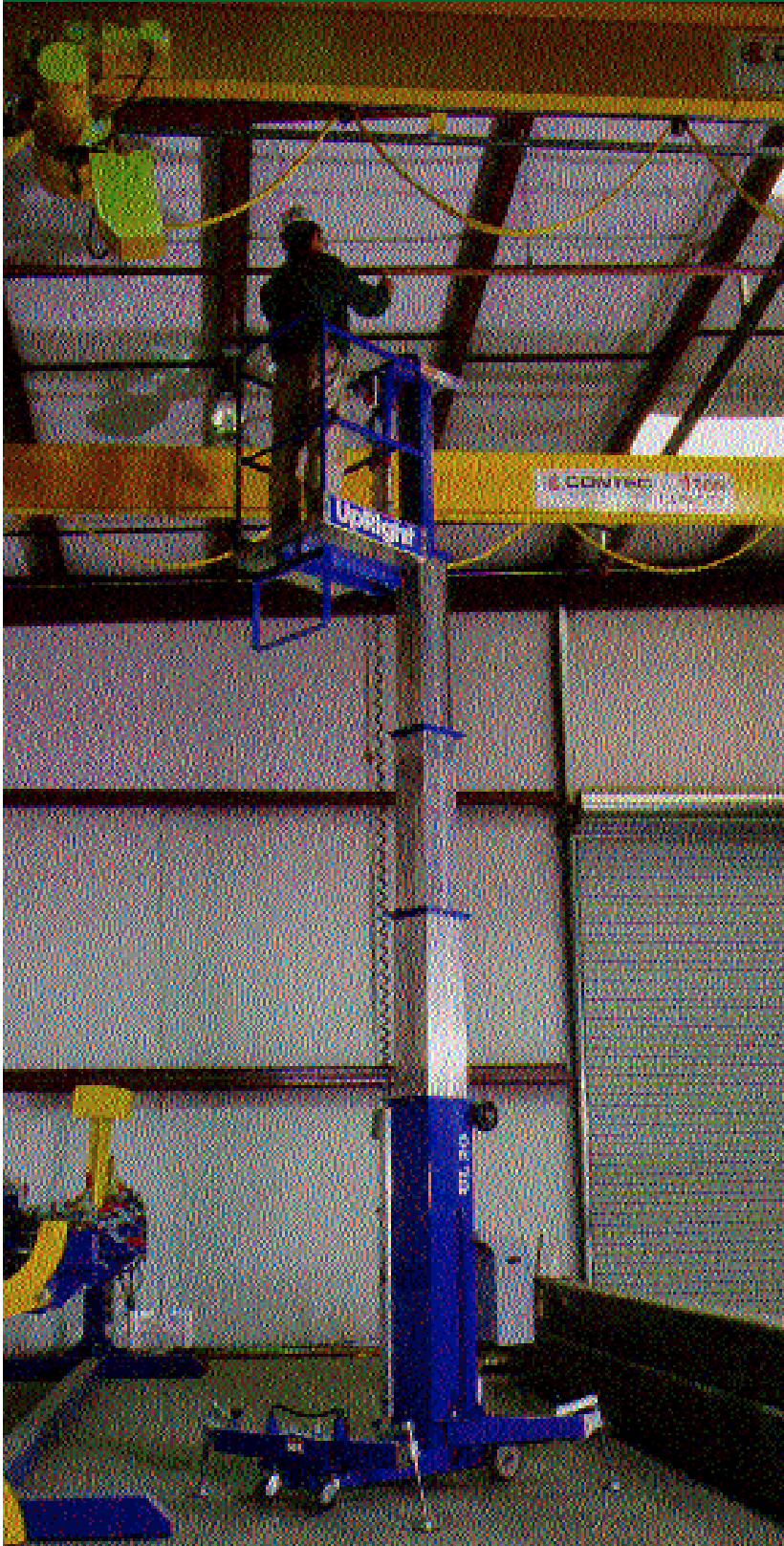


## Portable Personnel Lift



- ◆ Work up to 25.5 ft./7.8 m
- ◆ Girder Lock\* telescopic mast system for additional comfort
- ◆ Small outrigger footprint allows set up in narrow aisles, tight spaces
- ◆ Fits close to walls/corners
- ◆ Integral outriggers for fast set-up, increased productivity
- ◆ Passes through standard doorways
- ◆ EZ Loader system for transporting by pick-up truck
- ◆ AC or DC power



\*Patents pending

# UpRight UL20 Portable Personnel

## EZ Loader System



Insert loader bar



Pivot on tail gate



Push onto truck bed



Close tail gate

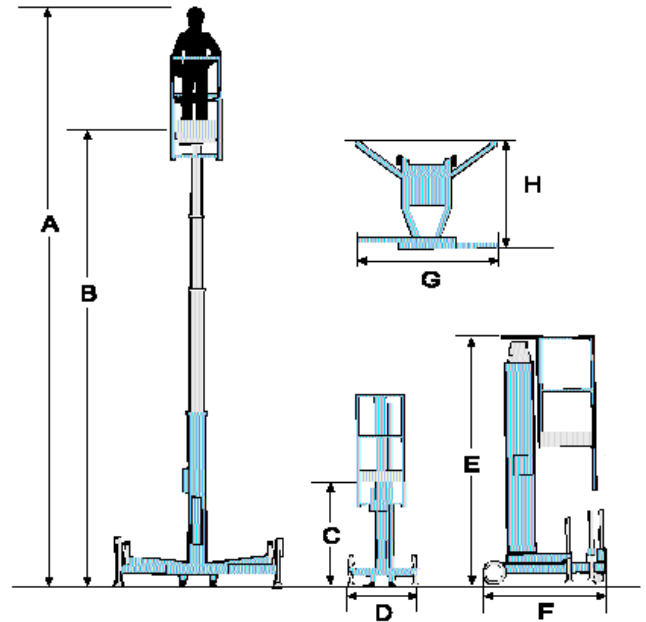
### Options

- ◆ Laser Locator
- ◆ Canvas bag for fluorescent tubes
- ◆ Tool tray
- ◆ Extra battery pack
- ◆ Auxiliary platform lowering

Meets or exceeds applicable requirements of OSHA and ANSI A92.3 – 1990.

Specifications subject to change without notice. Photos and diagrams in this brochure are for promotional purposes only. Refer to appropriate UpRight Operator's manual for detailed instructions on the proper use and maintenance of this equipment.

Specifications	US	Metric
Working height (A)	25.5 ft.	7.8 m
Platform height (max.) (B)	19.5 ft.	5.9 m
Platform height (lowered)(C)	34.5 in.	0.87 m
Platform capacity	350 lbs.	159 kg
Platform size	22 in. x 26 in.	0.56 m x 0.66 m
Stored dimensions:		
width (D)	29 in.	0.74 m
height(E)	78 in.	1.98 m
length (F)	45 in.	1.14m
Outrigger footprint:		
width (G)	55 in.	1.40 m
length(H)	53 in.	1.35 m
Wall/corner access	0.0 in./14.5 in.	0.0 m /0.37 m
Weights: AC	646 lbs.	293 kg
Weights: DC	722 lbs.	327 kg
Guardrail height	43.5 in.	1.1 m
Toeboard height	6 in.	150 mm
Power source	AC electric motor with 110 Volts, 60 Hz or 220 Volts, 50 Hz or 100 Volts, 50/60 Hz or DC electric motor with one 12 Volt battery, Grp. 27, 105 amp/hours	
Battery charger	Automatic, 110 Volts, 60 Hz or 220 Volts, 50 Hz	



See ULII brochure #1001-970610A for working heights to 54 ft./ 16.5 m

# UpRight