

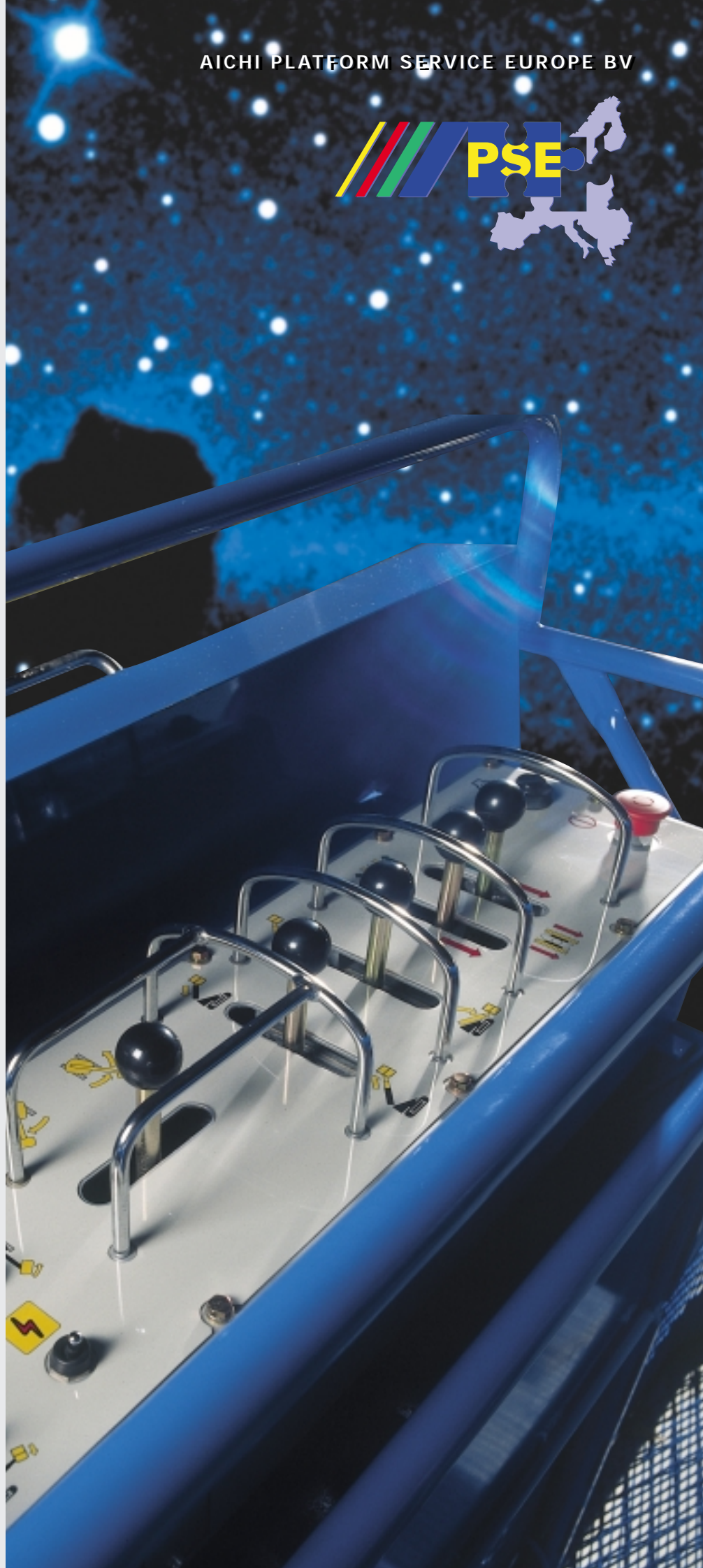
# AICHI SR-123

The compact design in combination with a robust three-stage boom will ensure that the machine is not only extremely mobile, it can also cover a large working area within a confined space.

The solid steel structure, the use of stable components and the installation of all cables and hoses inside the running gear as well as inside the boom will prevent almost any damage.

Operating the machine is logical and straightforward. Even strong hands can make all delicate movements with the robust and absolutely protected joystick.

AICHI equipment is extremely reliable. The high-quality products have been designed for daily use in the most difficult conditions.



## Technical specification for the SR-123

### Model Number & Name

Model	SR-123
Name	Crawler type self-propelled aerial platform

### Platform

Max. load capacity	250 kgs
Max. platform height	12.0 m
Max. horizontal outreach	10.6 m
Platform inner size (standard)	1.83 m x 0.75 m x 1.1 m
Platform inner size (option)	2.4 m x 0.75 m x 1.1 m
Platform rotator	180 degrees hydraulic

### Boom

Boom length	5.9 - 10.9 m
-------------	--------------

### Slewing device

Slewing angle	360 degrees, continuous
Slewing speed	0.54 upm

### Travelling

Traveling Speed	0 - 2.6 km/h
Gradeability stowed	> 65 %

### Dimension Data

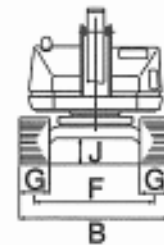
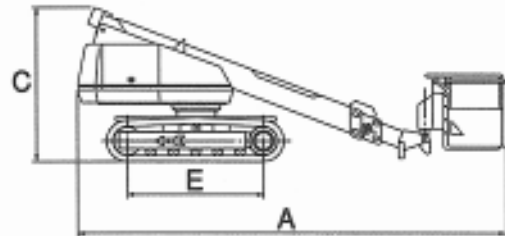
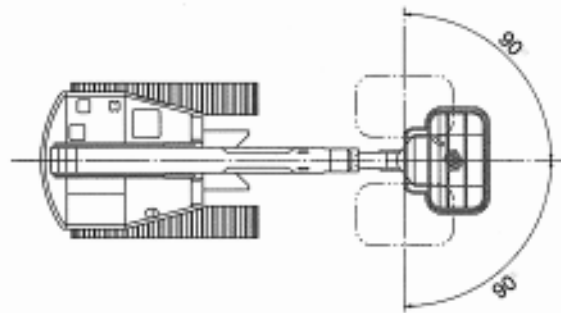
A: Overall Length	6330 mm
B: Overall Width	2150 mm
C: Overall Height	2200 mm
J: Ground Clearance	360 mm
E: Tumbler center distance	2050 mm
F: Crawler center distance	1700 mm
G: Crawler shoe width	450 mm
Gross Vehicle Weight	7650 kgs
Max. ground pressure	0.66 kg/cm <sup>2</sup>

### Power Source

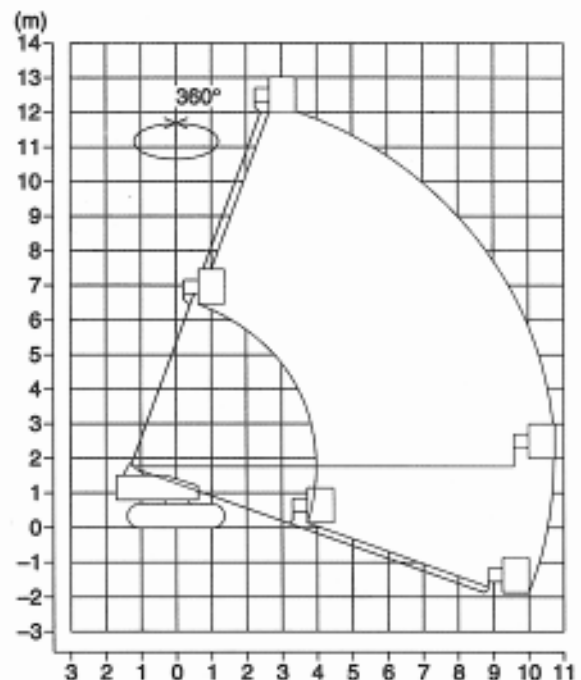
Name and type	Isuzu 4JB1
Max. output	41 KW
Displacement	2771 ccm
Voltage	24 V
Fuel Tank Capacity	108 l

### Hydraulics

Pressure	210 kgf/cm <sup>2</sup>
Reservoir capacity	170 l



# SR-123



#### Notes:

1. The deflection of the boom is not taken into consideration in the chart.
2. The operating range is the same in any direction.
3. The Chart shown above is based on supposition that the ground is horizontal and hard and that the wind velocity is less than 16 m/sec.