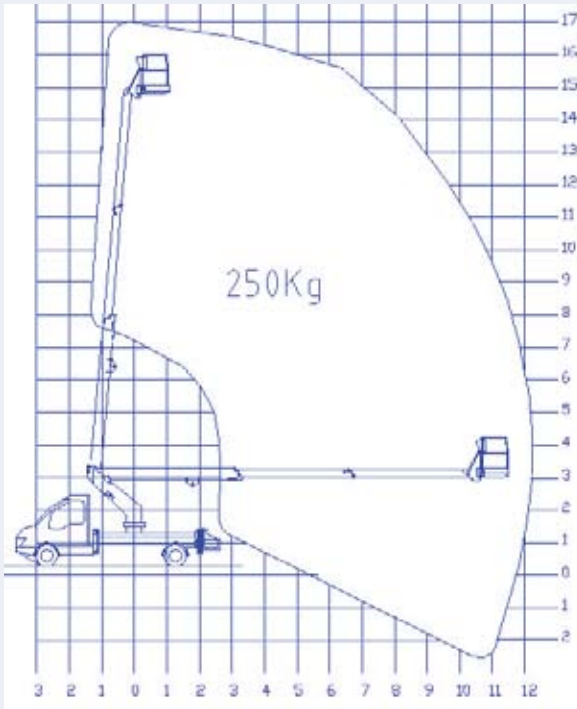






## Ascendant 17-12 Vehicle mounted telescopic access platform



### Special features

- Three stage telescopic boom with single hydraulic cylinder.
- Full pressure proportional hydraulic controls
- Engine stop start at platform and base controls
- 4 hydraulic H-type stabilisers operated from turret controls.
- One-side jacking on 3.5t allows 180 degrees rotation at full outreach and SWL
- Manual hand pump emergency operation at the base, plus manual rotation and descent
- Jacks/boom and PTO/handbrake interlocks
- Warning lights for:
  - booms not stowed
  - jacks not stowed
  - Reduced stabiliser bearing pressure

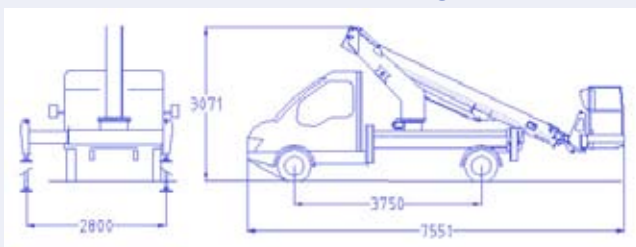
### Vehicle specifications

|                                   |                  |
|-----------------------------------|------------------|
| Maximum working height .....      | 17.0m            |
| Maximum platform height .....     | 15.0m            |
| Max. working outreach .....       | 12.2m            |
| Plan working arc (3.5t) .....     | 180°             |
| Plan working arc (5.2t) .....     | 360°             |
| SWL .....                         | 250kg            |
| Platform dimensions .....         | 0.8 x 1.5 x 1.1m |
| Stabiliser spread (3.5t GVW)..... | 2.8m             |
| Stabiliser spread (5.2t GVW)..... | 2.5m             |
| Kerb weight (3.5t chassis) .....  | 3300kg           |
| Kerb weight (5.2t chassis) .....  | 4800kg           |

### Typical chassis

|                                |        |
|--------------------------------|--------|
| Wheelbase (3.5t GVW) .....     | 3750mm |
| Travel length (3.5t GVW) ..... | 7.6m   |
| Wheelbase (5.2t GVW) .....     | 4350mm |
| Travel length (5.2t GVW) ..... | 7.8m   |
| Travel width .....             | 2.3m   |
| Travel height .....            | 3.1m   |

Ascendant 17 TH GVW 3,500 kg



Ascendant 17 TN GVW 5,200 kg

