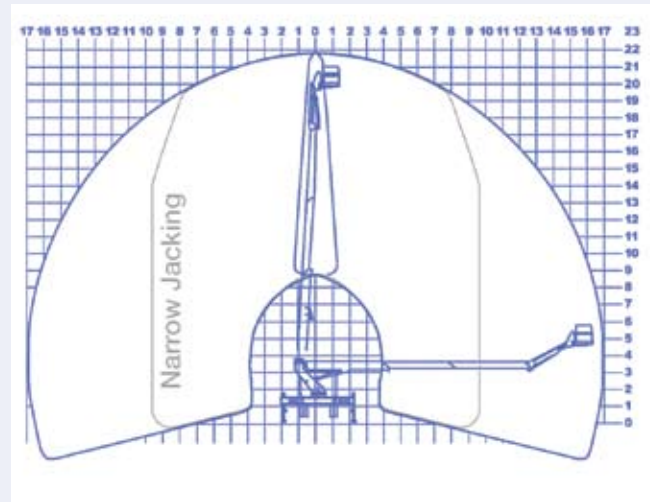




Ascendant 22-17 Truck Mounted Telescopic Access Platform



Special features

3 stage telescopic boom plus 2.4m flyboom with 125° operating arc.

Full pressure proportional hydraulic controls at platform and base.

Engine stop start at platform controls
One-sided jacking facility.

DC power pack plus handpump emergency operation.

Jacks/boom and PTO/handbrake interlocks.

Cab and jack collision protection.

Warning lights for:

- booms not stowed
- jacks not stowed
- insufficient jack ground pressure
- cab protection area
- Jack mode indicator

Vehicle specifications

| | |
|------------------------------------|------------------|
| Maximum working height | 22.0m |
| Maximum platform height | 20.0m |
| Max. working outreach | 17.0m |
| Outreach with narrow jacking | 10.0m |
| SWL | 280kg |
| Platform dimensions | 1.0 x 1.8 x 1.1m |
| Platform rotation | 160° |
| Jack width | 4.1m |
| One sided jack option | 2.2m |
| Narrow jack option | 2.2m |

Typical chassis

| | |
|---------------------|--------|
| GVW..... | 7500kg |
| Wheelbase | 4500mm |
| Travel length | 8.7m |
| Travel width | 2.4m |
| Travel height | 3.5m |

