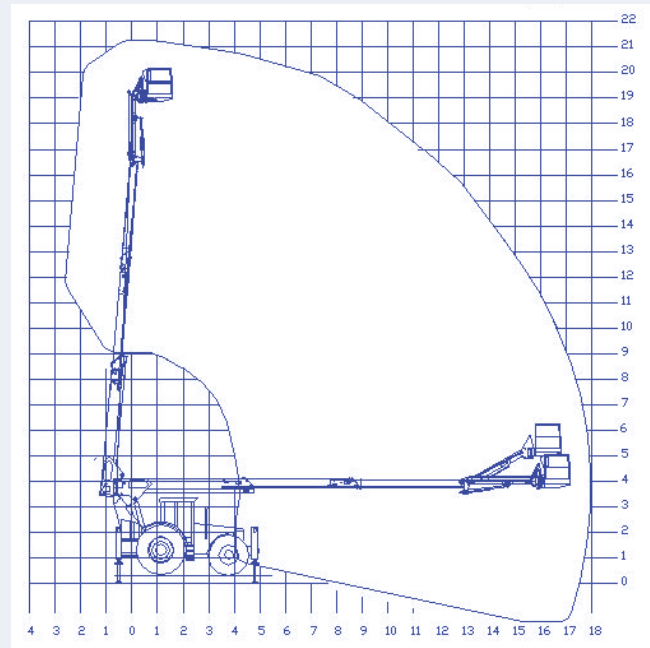








## Ascendant 22-17 Tractor Mounted Telescopic Access Platform



### Special features

3 stage telescopic boom plus 2.4m flyboom with 125° operating arc.

Full pressure proportional hydraulic controls at platform and base.

Engine stop start at platform controls  
One-sided jacking facility.

DC power pack plus handpump emergency operation.

Jacks/boom and PTO/handbrake interlocks.

Cab and jack collision protection.

Warning lights for:

- booms not stowed
- jacks not stowed
- cab protection area
- Jack mode indicator

### Vehicle specifications

Maximum working height .....	21.4m
Maximum platform height .....	19.4m
Max. working outreach .....	17.5m
SWL .....	280kg
Platform dimensions .....	1.0 x 1.8 x 1.1m
Platform rotation .....	160°
Jack width .....	3.8m
One sided jack option .....	2.9m

### Tractor chassis: John Deere 6620SE

GVW.....	9000kg
Wheelbase .....	2560mm
Travel length .....	7.2m
Travel width .....	2.4m
Travel height .....	3.8m

