



# COMPACT 10 RTE

# COMPACT 12 RTE



## Outstanding performance, both inside and outside

- Suitable for all terrains allowing the operator to work without noise and fumes
- Tight turning radius allowing an excellent manoeuvrability in confined areas
- Foam filled and non-marking tires with rough terrain profile
- Ground clearance of 25 cm
- Load capacity up to 565 kg (C10 RTE)
- Driveable at full height
- Long working cycles

## Robust, reliable, easy to maintain



**Haulotte**   
GROUP  
More than lifting



# COMPACT 10/12 RTE

ELECTRIC SCISSOR LIFTS

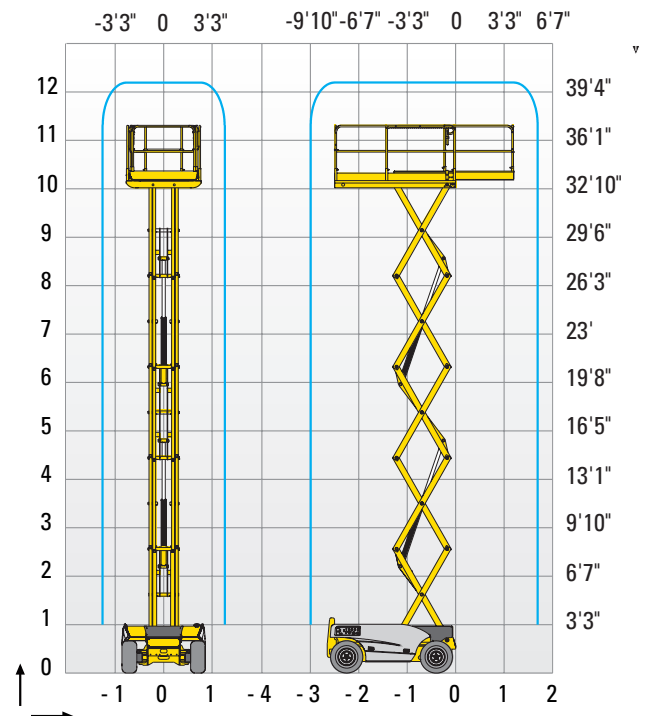
## Compact 12 RTE

### TECHNICAL DATA

#### Compact 10 RTE

#### Compact 12 RTE

Working height	10.28 m	12.06 m
Platform height	8.28 m	10.06 m
Gradeability	25 %	25 %
Lift capacity	565 kg	450 kg
Platform length - outside	2.45 m	2.45 m
Platform length - extended	3.7 m	3.7 m
Length - extension	1.2 m	1.2 m
<b>G</b> Platform width - outside	1.45 m	1.45 m
Storage height	1.59 m	1.71 m
<b>C</b> Height - stowed	2.44 m	2.56 m
<b>B</b> Overall width	1.78 m	1.78 m
<b>A</b> Length	2.64 m	2.64 m
<b>D</b> Wheelbase	1.84 m	1.84 m
<b>E</b> Ground clearance	25 cm	25 cm
Ground clearance - Pothole guards deployed	N/A	N/A
Drive speed	0,8 - 5,8 km/h	0.8 - 5.8 km/h
Driveable at full height up to	8.28 m	10.06 m
Tilt	3 °	3 °
Lift / lower speed	35 s / 35 s	43 s / 43 s
Turning radius - outside	3.73 m	3.73 m
Non-marking tires	26x12-12	26x12-12
Batteries	48 V - 255 Amph (C5)	48 V - 255 Amph (C5)
Hydraulic system capacity	63 l	63 l
Weight	3 305 kg	3 675 kg

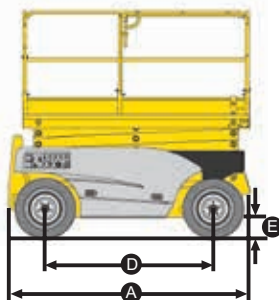
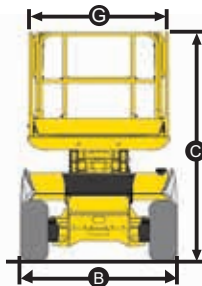


### STANDARD EQUIPMENT

- Extended platform
- Proportional lift and drive
- Removable control box in platform
- Battery charge indicator
- Battery charger with automatic stop
- Lanyard attachment points
- 2 wheel-drive
- Free wheeling device
- Tilt controller
- Load Management System in the platform
- Manual platform lowering valve
- Hydraulic brakes
- Towing hooks
- Horn
- Hourmeter

### OPTIONS AND ACCESSORIES

- Flashing light
- Travel alarm
- Power to platform
- Biodegradable hydraulic oil
- Outriggers (Increase machine weight by 240 kg)



**Head Office**  
Westside, London Road,  
Hickstead, West Sussex,  
RH17 5LZ

T 01444 88 11 88  
F 01444 88 11 99  
E [hiredesk@facelift.co.uk](mailto:hiredesk@facelift.co.uk)  
W [facelift.co.uk](http://facelift.co.uk)

**facelift**  
access and safety made easy