



The basket is available in 2 designs:

An angular boom with a basket that can be rotated so it is parallel with the facade.

An angular boom with a fibreglass basket which can be rotated. Ideal for electrical work.



1. Hydraulic support legs ensure speed of erection and safety even on sloping surfaces.

3. Hydraulic drive wheels for ease of movement.



2. Straightforward operation of all functions from the control panel in the basket. Safety clamp for protection of joystick.



4. The 4-section system lifts the basket vertically into position beside the facade.

A highly competitive lift in terms of price and quality

This type of lift has enjoyed great success on all markets, and has been widely used for rental owing to its ease of operation and low maintenance costs. Its price is highly competitive, without the slightest compromise on quality.

The DK12 MkII lift combines the best features of the telescopic and folding boom principle respectively. Double levers ensure that the lift boom is extremely stable and rigid, making it easy to control.

Another advantage is the fact that the basket can be loaded with up to 200 kg anywhere within the working area of the lift. The maximum working height is 12,3 metres.

All DENKA LIFTS meet the most stringent safety standards. The electrical and hydraulic system features double safety devices, the cylinders have hose break valves, and all the movements of the lift have a pressure control valve safety system.

The telescopic boom is made of steel sections, and these sections along with the 2-speed system provide the operator in the basket with a stable, safe and highly functional workplace.

The DK12 MkII range comprises versatile lifts which can be supplied for battery operation.

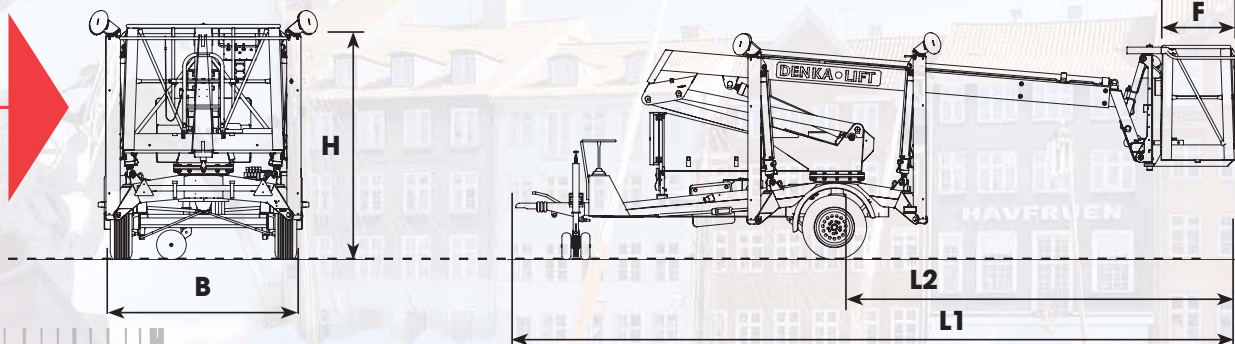
Typical application areas are work on facades, roofs and dormer windows, window cleaning, painting, pruning and indoor maintenance.

All Denka lifts are being produced by Worldlift Industries AS.

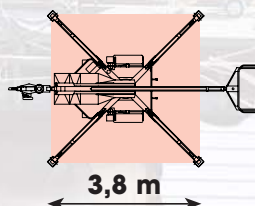


Model DK12 MkII

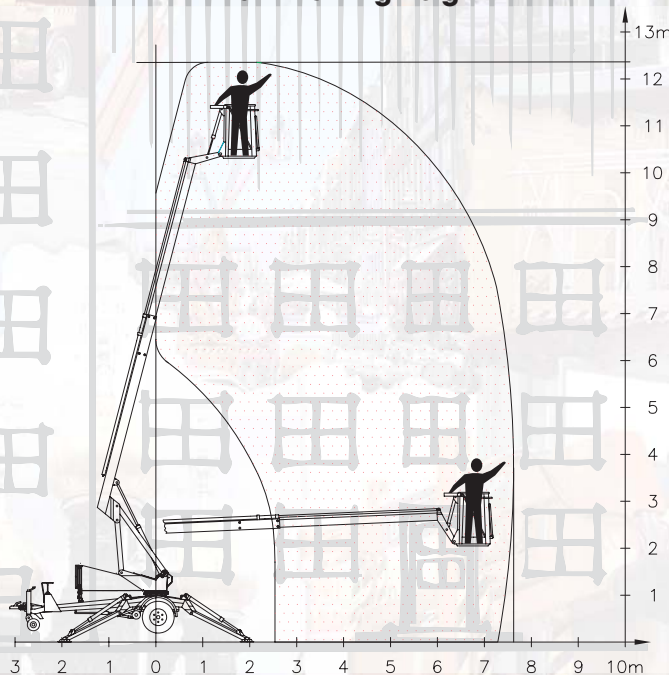
Technical data



Outrigger cross section



Max. working height



Standard model	DK12 MkII
capacity:	
Max. working height A	12,3 m
Max. reach	8,0 m
Max. load in basket	200 kg
Slew movement	cont. 360°
Transport dimensions:	
Lenght L1	6950 mm
Lenght L2	3900 mm
Height H	2050 mm
Width B	1750 mm
Distance F	890 mm
Net weight standard	1800 kg

STANDARD EQUIPMENT:

- Rotating alu basket 1200 mm
- Battery operation
- On/off control 2-speed
- Hydraulic outriggers
- Hydraulic wheel drive
- HFI relay 30 mmA
- Hour counter
- Charging key

EXTRA ACCESSORIES:

- Rotating fibreglass basket 1200 mm*
 - Petrol generator*
 - Yellow rotating light
 - Special colours
 - Yellow flashing light on outriggers
 - Biological, degradable and hydraulic oil
- *Increase in weight

Head Office
Westside, London Road,
Hickstead, West Sussex,
RH17 5LZ

T 01444 88 11 88
F 01444 88 11 99
E hiredesk@facelift.co.uk
W facelift.co.uk

facelift
access and safety made easy

DENKA-LIFT