



CE MODEL | SJ 66T



T SERIES Telescopic BOOM LIFTS

Skyjack continues to expand its product base by adding the new SJ 66T to the SJ 45T boom lift lineup. Built and designed using Skyjack's robust and reliable design philosophies, the SJ 66T boom lift continues to offer the lowest life cycle costs, proven reliability, and ease of serviceability.

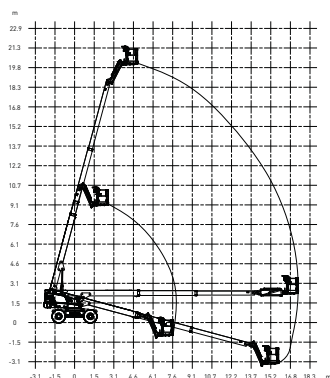
Superior terrainability is obtained utilizing Skyjack's exclusive axle based 4WD system which features a "No Slip" rear differential and limited slip front differential. Other competitive advantages include an innovative and intuitive DIRECTION SENSING DRIVE AND STEER

CONTROL system as well as a 45 degree steering angle which results in the industry's tightest turning radius. Skyjack's standard colour coded and numbered wiring system, along with proven relay based controls, complete a well rounded package of superior, proven, operating characteristics.

facelift
access and safety made easy

T SERIES Telescopic Boom Lifts

Specifications	SJ 66T
Work Height	22,1 m
Platform Height	20,1 m
Horizontal Reach	17,4 m
Platform Size	0,91 m x 1,83 m
Stowed Width	2,4 m
Tailswing	1,2 m
Stowed Height	2,6 m
Stowed Length	10,3 m
Wheelbase	2,4 m
Ground Clearance	0,4 m
Platform Rotation	180°
Jib Length	1,5 m
Jib Range +/-	63° / 66°
Weight	13110 kg
Gradeability - 4WD	50%
Turning Radius (Inside) - 4WD	2,8 m
Turning Radius (Outside) - 4WD	5,1 m
Axle Oscillation	0,3 m
Drive Speed (stowed)	7,2 km/h
Drive Speed (raised)	0,8 km/h
Capacity	227 kg
Maximum # of Persons	2



SJ 66T REACH DIAGRAM

STANDARD FEATURES

- Drivable at full height
- Axle based 4WD
- "No Spin" rear differential and limited slip front differential
- Oscillating axle
- Wet disc SAHR brakes (front and rear axle)
- 65hp Deutz diesel engine
- Swing out engine tray
- Swing up fiberglass cowlings
- 360° continuous turret rotation
- Direction sensing drive and steer controls
- Proportional controls
- Relay based control system
- Colour coded and numbered wiring system
- 50% gradeability
- 15 x 19,5 grip lug foam-filled tires
- Wiring for AC outlet on platform
- Tilt alarm with drive cut-out
- Overload sensing system
- Operator horn
- Modular platform railing system
- Spring hinged gate
- Lanyard attachment points
- Tie down/lifting lugs

OPTIONS‡

- 3.5kW generator (Includes hydraulic oil cooler)
- Cold weather start kit
- Diesel scrubber
- Hydraulic oil cooler
- Flashing light
- Platform work lights
- 1/2" airline to platform
- 2WD
- All motion alarm

‡ Capacities, and machine weights may differ when options are added

Head Office
Westside, London Road,
Hickstead, West Sussex,
RH17 5LZ

T 01444 88 11 88
F 01444 88 11 99
E hiredesk@facelift.co.uk
W facelift.co.uk

facelift
access and safety made easy