



CONVENTIONAL SERIES DC Electric SCISSOR LIFTS

The Narrow Conventional Series DC Electric Scissor Lifts offer high capacity and large platform areas, making them suitable for any on-slab application. Featuring variable speed rear wheel hydraulic drive, the SJIII 3220 and SJIII 3226 offer working heights up to 9,9 m and 30% gradeability.

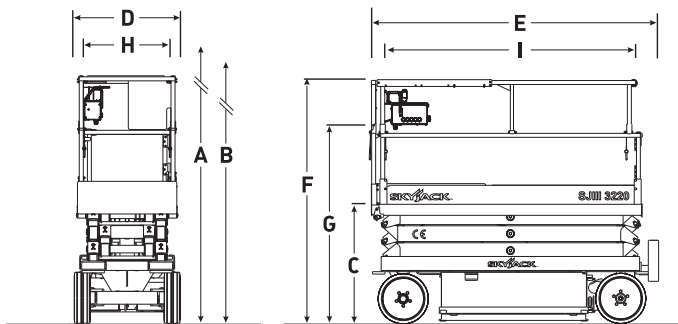
The lightest machines in their class, these models offer a standard 0,9 m roll out extension deck, and both models can be driven at full height. The SJIII 3220,

boasting an industry leading 408 kg capacity, can also access through standard doorways. Consistent with Skyjack's robust and reliable design features, the Narrow Conventional Series DC Electric Scissor Lifts utilize Skyjack's standard colour coded and numbered wiring system with analog based controls.

CONVENTIONAL SERIES

DC Electric Scissor Lifts

| Specifications | SJIII 3220 | SJIII 3226 |
|--------------------------------------|-------------|-------------|
| A Work Height | 8,1 m | 9,9 m |
| B Raised Platform Height | 6,1 m | 7,9 m |
| C Lowered Platform Height | 1,0 m | 1,1 m |
| D Overall Width | 0,8 m | 0,8 m |
| E Overall Length | 2,3 m | 2,3 m |
| F Stowed Height (Rails Up) | 2,1 m | 2,2 m |
| G Stowed Height (Rails Down) | 1,7 m | 1,9 m |
| H Platform Width (Inside Dimension) | 0,7 m | 0,7 m |
| I Platform Length (Inside Dimension) | 2,1 m | 2,1 m |
| Extension Deck (Roll Out) | 0,9 m | 0,9 m |
| Ground Clearance (Stowed) | 8,6 cm | 8,6 cm |
| Ground Clearance (raised) | 1,9 cm | 1,9 cm |
| Wheelbase | 1,8 m | 1,8 m |
| Weight | 1594 kg | 1890 kg |
| Gradeability | 30% | 30% |
| Turning Radius (Inside) | 1,3 m | 1,3 m |
| Turning Radius (Outside) | 2,8 m | 2,8 m |
| Lift Time (With Rated Load) | 33 sec | 53 sec |
| Drive Speed (Stowed) | 3,1 km/h | 3,1 km/h |
| Drive Speed (Raised) | 1,1 km/h | 1,1 km/h |
| Maximum Drive Height | Full Height | Full Height |
| Capacity (Overall) | 408 kg | 227 kg |
| Maximum # of Persons | 2 | 2 |



STANDARD FEATURES

- Drivable at full height
- Variable speed, rear two wheel hydraulic drive
- Dual holding brakes
- Proportional controls for drive & lift functions
- 0,9 m roll out extension deck
- 24V DC power source
- Low voltage battery protection
- Analog control system
- Colour coded and numbered wiring system
- 30% gradeability
- Solid rubber, non-marking tyres
- Pothole protection system
- Wiring for AC outlet on platform
- Tilt alarm with drive & lift cut-out
- Overload sensing system
- Lowering warning system
- Operator horn
- Hinged railing system (3226 only)
- Half height spring hinged gate
- Lanyard attachment points
- Forklift pockets and tie down/lift lugs

OPTIONS†

- Flashing light
- 1,83 m powered extension deck (3220 only)
- Shop airline to platform
- 250 Ah batteries
- Hinged railing system (3220 only)
- Full height spring hinged gate*
- All motion audible alarm
- Pipe racks
- Drywall/board carrier

* Not available with hinged railing system on 32xx's

† Capacities, and machine weights may differ when options are added

Head Office
Westside, London Road,
Hickstead, West Sussex,
RH17 5LZ

T 01444 88 11 88
F 01444 88 11 99
E hiredesk@facelift.co.uk
W facelift.co.uk

facelift
access and safety made easy