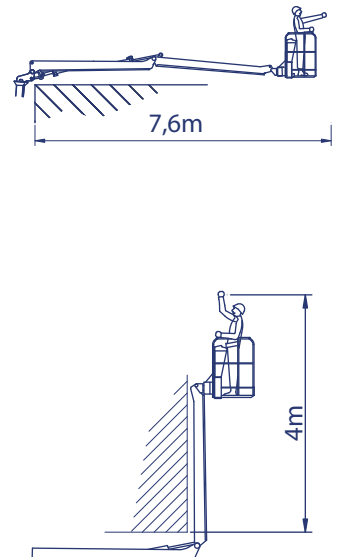
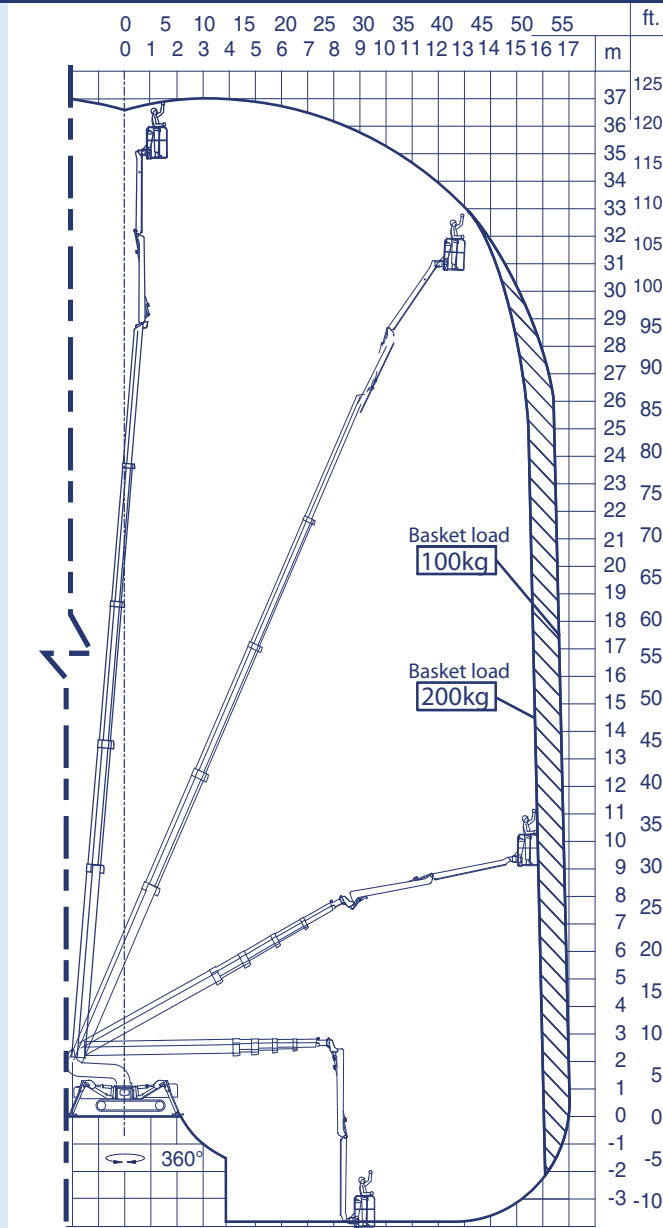
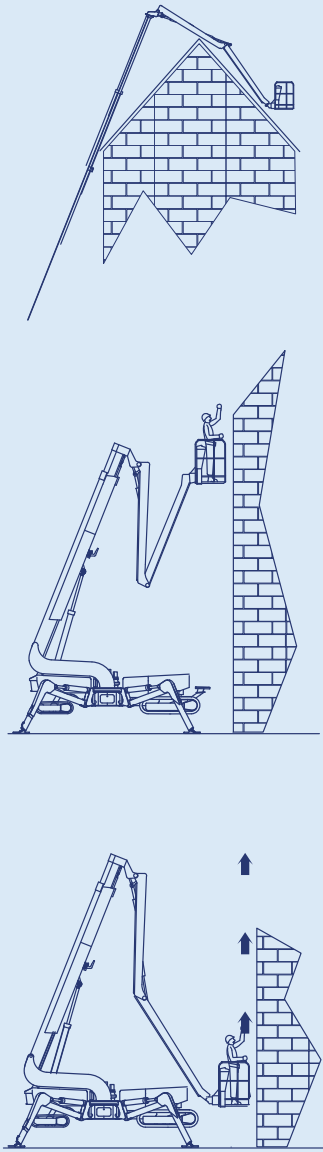


# FALCON SPIDER FS370C

## Reach diagram — Optimized position

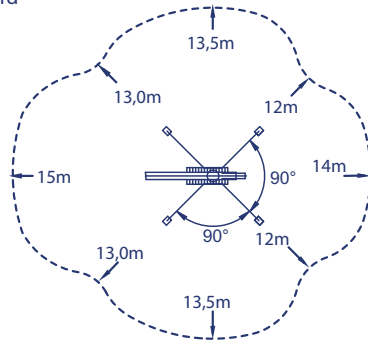


## Reach with outriggers in different positions

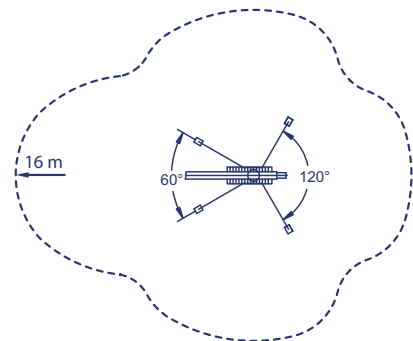
Standard

Measurements in meters

Optimized



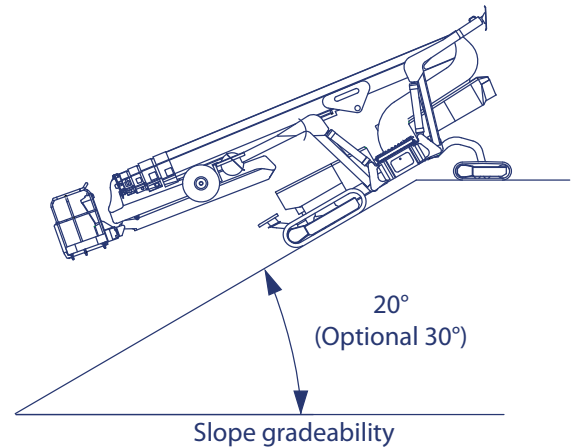
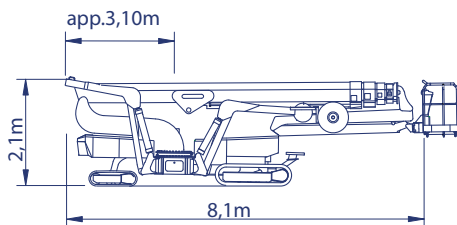
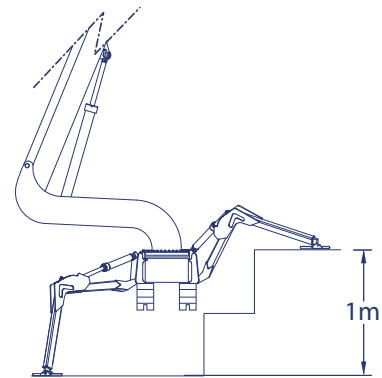
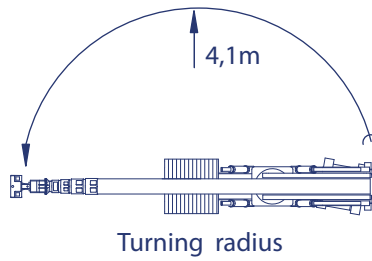
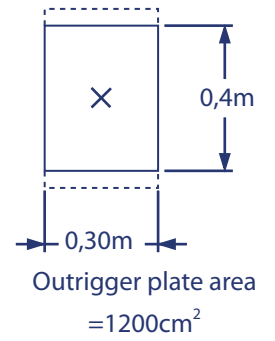
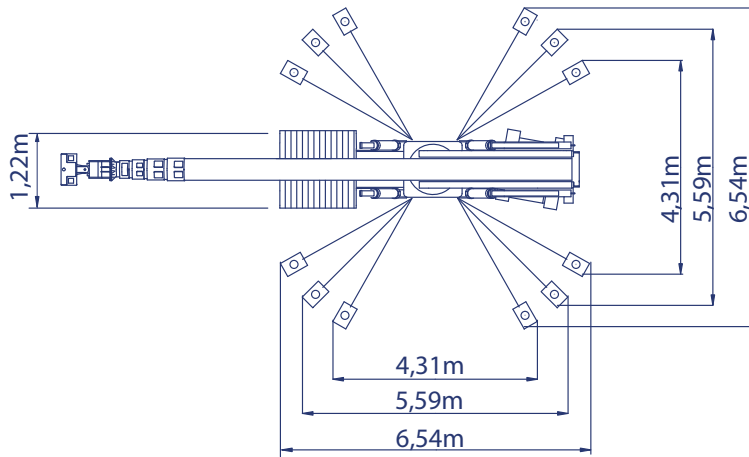
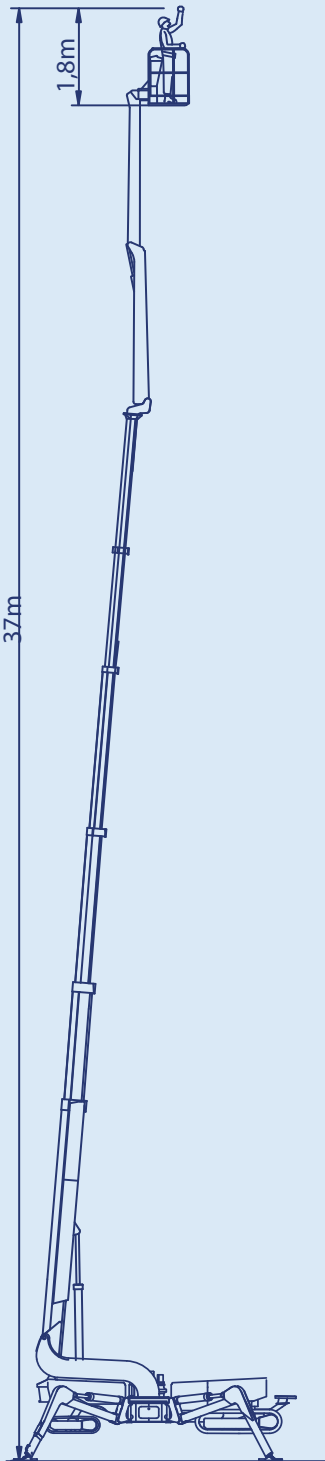
Basket load = 200kg



Basket load = 100kg

**facelift**  
access and safety made easy

All measurements are intended as guide. Choice of equipment may change the mentioned measurements



## Additional info:

Weight and ground pressure:

Weight with standard equipment	8000 kg
Surface pressure under crawlers (soft surface)	1,30 kg/cm <sup>2</sup>
Surface pressure under crawlers (hard surface)	7,10 kg/cm <sup>2</sup>
Max. ground pressure under 1 outrigger plate	3,00 kg/cm <sup>2</sup>

As all our products are in a constant process of development we reserve the right to alterations

Technical data for FS370C

Max basket load	200 kg/440 lb (2 persons of 85 kg/187 lb + 30 kg/66 lb. extra equipment)
Telescopic functions	
Boom stages:	4
Telescopic stroke:	13,5 m (Approx.)
Main boom	
Movement:	88° (-3° to + 85°)
Turret	
Rotation:	380° (standard).
Rotations system:	Hydraulic motor, planetary gear.
Jib	
Length:	3 m
Rotations angle:	180°
Basket Jib	
Length:	3 m
Rotations angle:	180°
Basket	
Rotations angle:	2 x 90° (available as optional)
Outriggers	
Adjustment:	Manually horizontally
Setting:	hydraulic cylinder jack
Option equipment:	Operating the platform from the basket
Loading/unloading truck	
Max. load height approx.	1060/1170 mm
Max. load width approx.	3500 mm
Power supply	
230V AC, 50/60 Hz, min.10 Amp. (Recommended 13 Amp.)	
Power unit	
Standard:	24V DC motor
Option:	Hatz Diesel Engine
Batteries	4 pcs. maintenance free batteries, (Option 4 - 8 extra pcs.)
Type Dryfit Traction block 6-180 6V 180Ah (power unit)	
1 pcs. of maintenance free battery, VARTA 12V (Diesel engine)	

## Driving unit

Fast speed forwards	1,5 km/h (Approx.).
Slow speed forward	0,9 km/h (Approx.)
Fast speed reverse	1,5 km/h (Approx.)
Slow speed reverse	0,9 km/h (Approx.)
Max. gradient (standard):	Approx. 40%/20°

### Self-propelled range:

Max distance reached by self-propelled SPIDER, on battery power (fully charged) on level hard surface: 1800 m.

### Safety systems

Stability/overload:	Measurement of load/pressure on outriggers
Hydraulic safety:	Pilot check valve
Overload main boom protection:	Main boom deflection measurement
Slope alarm (Option):	Acoustic signal if chassi is out of level according to horizontal
Cross axis:	12°
Length axis:	20°/4°

Chain fault:	Red indicator lights up at the control panels, if chain breaks or faults.
Emergency lowering:	Secondary electrical system and manual hand pump.

## Emergency lowering.

Secondary electrical system and manual hand pump

## REMARK

Data can have a deviation at each single platform due to production tolerances.

## WARNING

Do not use the platform without reading and following the instructions carefully.

Failing to comply with the correct operating procedures and safety instruction, can because for injury or death.

**ALWAYS READ OPERATORS MANUAL BEFORE USE!**

### Head Office

Westside, London Road,  
Hickstead, West Sussex,  
RH17 5LZ

T 01444 88 11 88  
F 01444 88 11 99  
E [hiredesk@facelift.co.uk](mailto:hiredesk@facelift.co.uk)  
W [facelift.co.uk](http://facelift.co.uk)

**facelift**  
access and safety made easy