

Range TJ

Cod. PRP1204

Description: Telescopic platform with Jib, fully hydraulic with high specifications of strength, reliability and easy maintenance. Specifically designed to fulfill the high standard of quality requested by professional users, ensuring a long working life and a high residual value.

Performances

Working height mt.		22.30
Max load in the basket kg.	† † †	250
Max working outreach mt.	† † †	11.50
Turret rotation °		Continuous
Hose track		External
Controls in the basket		Hydraulic with single levers

Platform specifications

Steel basket dimensions mt.	1.80x0.80
Fiberglass basket dimensions mt.	1.40x0.70
Basket rotation °	60 + 85
Front outriggers	Inclined
Back outriggers	Inclined
Foot plate gauge min. mt.	2.86



Assembling

This assembly represents the "multipurpose" version with outriggers slightly outside the vehicle mirrors width. The excellent capacity of levelling allows however high performances and operational possibilities.

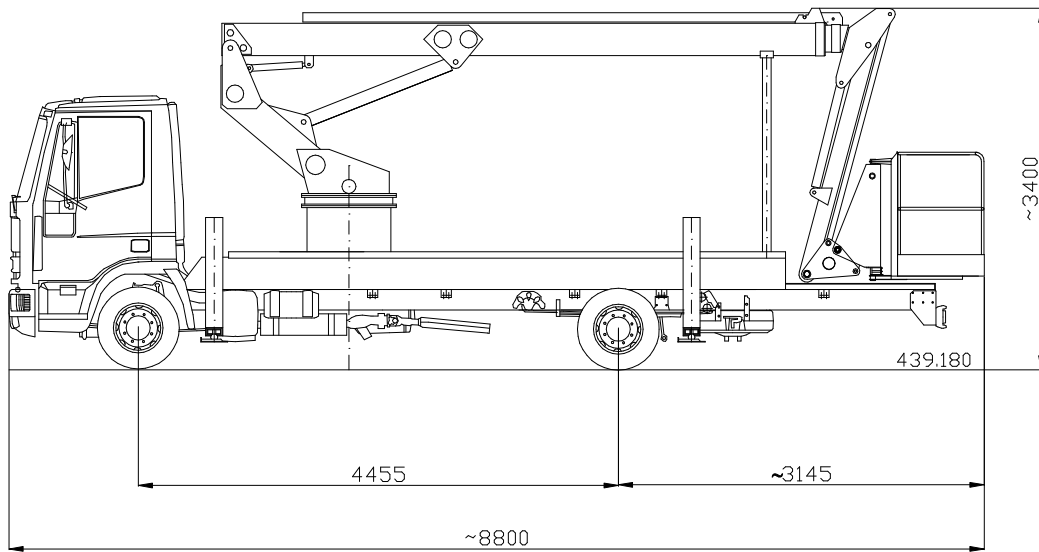
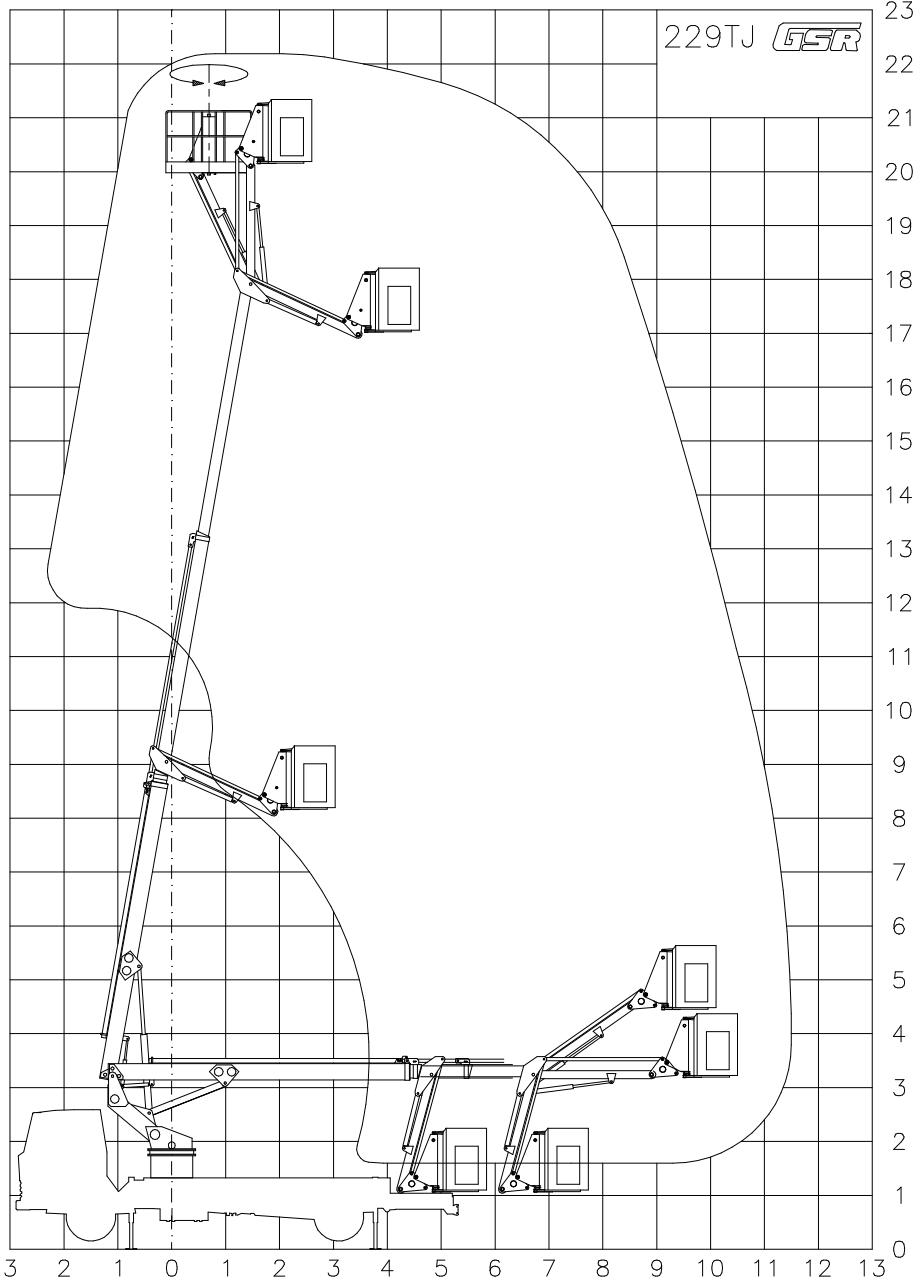
Body Purposely designed assembly to optimize functionality and utilization

Standards CE certificate

Accessories There are available a wide range of accessories, many of them are already included as stand machine. It is recommended to contact our sales network for more information.

Other types of assembling and different vehicles We are in position to propose the same machine with different type of assembly and / or on different types of vehicles. Contact our sales organization to obtain information about all the possible solutions that we are able to offer.

439.155



APPROXIMATE DATA - TECHNISCHE ANDERUNGEN VORBEHALTEN
 DONNEES INDICATIVES - DATI INDICATIVI

AGGIORNAMENTI MODIFICHE

C H
 B G
 A F

SAFE WORKING LOAD	 250 KG
NENNTRAGFAHIGKEIT IM KORB	
CHARGE NOMINALE DANS LE PANIER	
PORTATA NOMINALE IN NAVICELLA	



DENOMINAZIONE
 229TJ Basic
 IVECO 75 E 15 - 7.5 T

DATA 10/05/2000
 CODICE PRP1204