

279TJ Comfort

- 15.0 T p. mt.

Range TJ

Cod. PRP1092

Description: Telescopic platform with Jib, fully hydraulic with high specifications of strength, reliability and easy maintenance. Specifically designed to fulfill the high standard of quality requested by professional users, ensuring a long working life and a high residual value.

Performances

Working height mt.		27.20
Max load in the basket kg.	† † †	250
Max working outreach mt.	† † †	15.00
Turret rotation °		Continuous
Hose track		External
Controls in the basket		Hydraulic with single levers

Platform specifications

Steel basket dimensions mt.	1.80x0.80
Fiberglass basket dimensions mt.	1.40x0.70
Basket rotation °	60 + 85
Front outriggers	Extendible
Back outriggers	Vertical
Foot plate gauge min. mt.	2.95



Assembling

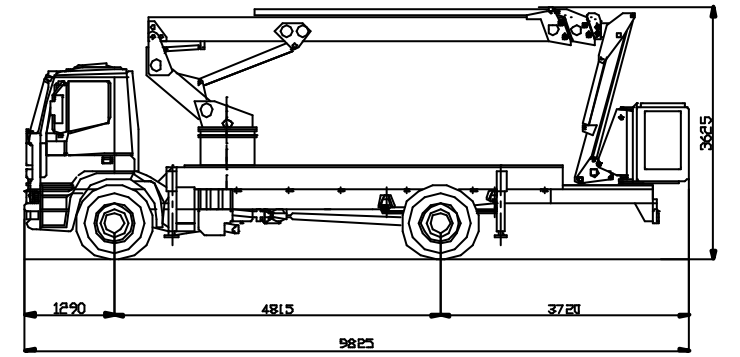
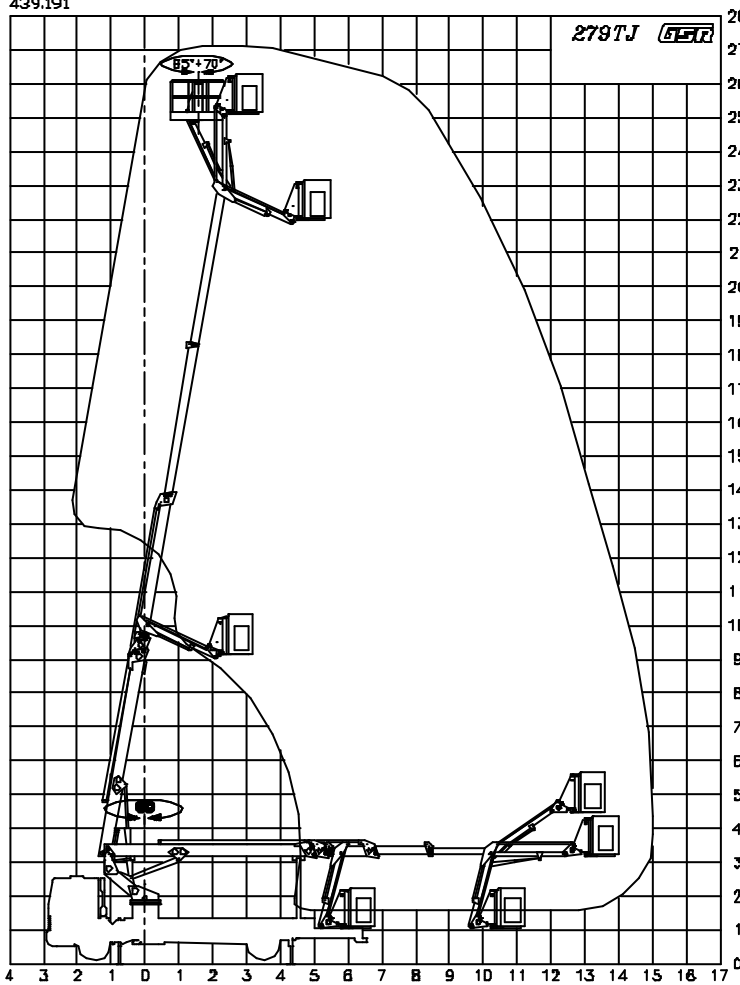
This assembly represents the top version with a very comfortable stabilization even on delicate flooring. The outriggers are placed slightly outside the mirror width and ensure the best ratio between foot-print on ground and working outreach.

Body Purposely designed assembly to optimize functionality and utilization

Standards CE certificate

Accessories There are available a wide range of accessories, many of them are already included as standard machine. It is recommended to contact our sales network for more information.

Other types of assembling and different vehicles We are in position to propose the same machine with different type of assembly and / or on different types of vehicles. Contact our sales organization to obtain information about all the possible solutions that we are able to offer.



APPROXIMATE DATA - TECHNISCHE ANDERUNGEN VORBEHALTEN
 DONNEES INDICATIVES - DATI INDICATIVI

AGGIORNAMENTI MODIFICHE

F	H
B	G
A	F

SAFE WORKING LOAD	230 KG
NENNTRAGFAHIGKEIT IN KORBE	
CHARGE NOMINALE DANS LE PANIER	
PORTATA NOMINALE IN NAVICELLA	



DE DENOMINAZIONE
279TJ Comfort
 IVECO I30 E 18 - 15 T

BATA 01/06/1999
 CODICE PRP1092