

## Range PX

Cod. PRP1404A

### Description:

A telescopic platform with a double articulated boom configuration with fully hydraulic proportional controls for high reliability and easy maintenance. Specifically designed to fulfill the high standard of quality requested by professional users, ensuring a long working life and a high residual value.

### Performances

Working height mt.		19.50
Max load in the basket kg.	† †   †	220
Max working outreach mt.	† †   †	8.65
Turret rotation °		450
Hose track		Internal
Controls in the basket		Hydraulic multifunctions joystick

### Platform specifications

Steel basket dimensions mt.	1.40x0.70
Fiberglass basket dimensions mt.	1.20x0.70
Basket rotation °	70 + 70
Front outriggers	Inclined
Back outriggers	Inclined
Foot plate gauge min. mt.	2.54



### Assembling

This assembly represents the "multipurpose" version with outriggers slightly outside the vehicle mirrors width. The excellent capacity of levelling allows however high performances and operational possibilities.

### Body

Purposely designed assembly to optimize functionality and utilization

### Standards

CE certificate

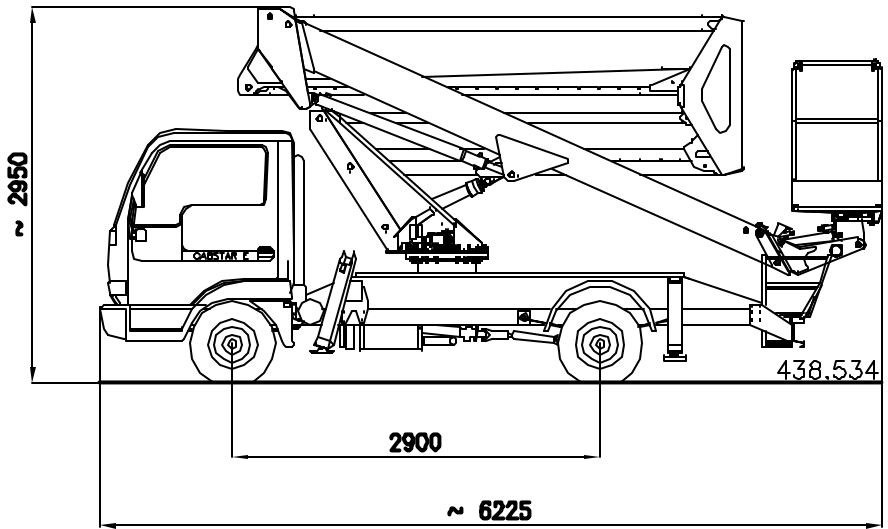
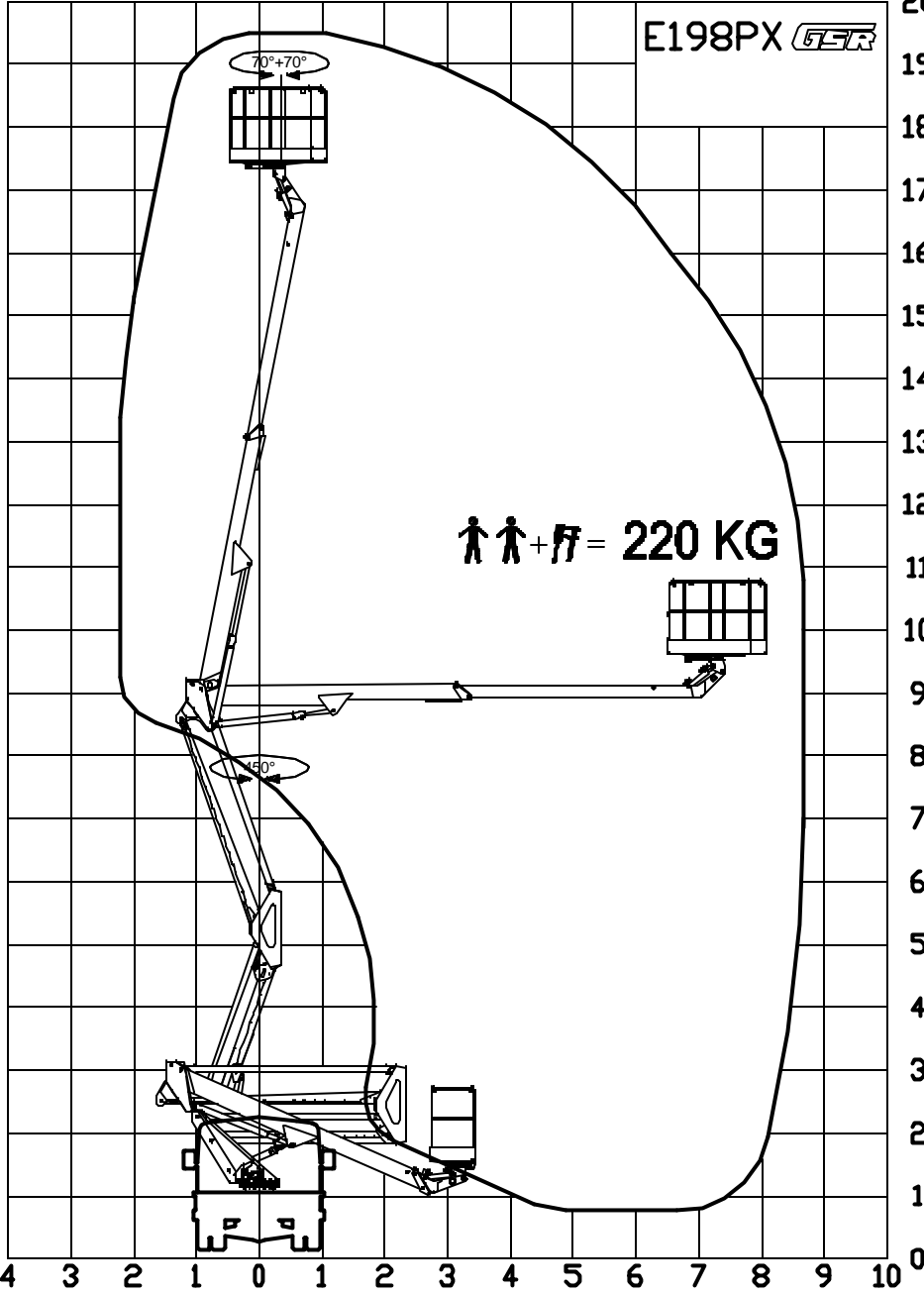
### Accessories

There are available a wide range of accessories, many of them are already included as stand machine. It is recommended to contact our sales network for more information.

### Other types of assembling and different vehicles

We are in position to propose the same machine with different type of assembly and / or on different types of vehicles. Contact our sales organization to obtain information about all the possible solutions that we are able to offer.

439.329



MAX SAFE WORKING LOAD	 <b>220 KG</b>
MAX NENNTRAGFAHIGKEIT IM KORB	
MAX CHARGE NOMINALE DANS LE PANIER	
MAX PORTATA NOMINALE IN NAVICELLA	



DENOMINAZIONE  
**E198PX Basic**  
 NISSAN TL 35 - 3.5 T

DATE **28-09-2004**  
 CODE **PRP1404**

APPROXIMATE DATA - TECHNISCHE ANDERUNGEN VORBEHALTEN  
 DONNEES INDICATIVES - DATI INDICATIVI

AGGIORNAMENTI MODIFICHE AD Appletcna.to v. 11/11/2004 FR

<input checked="" type="checkbox"/>	C	F
<input type="checkbox"/>	B	F
<input type="checkbox"/>	D	