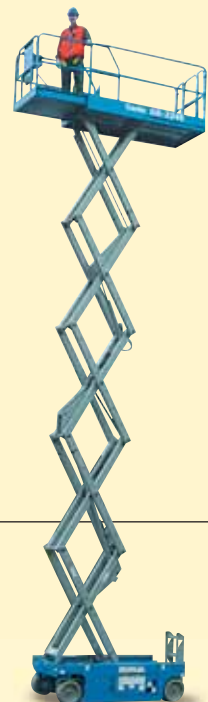




Electric Self-Propelled Scissor Lift

GS™-2046
GS™-2646
GS™-3246

- Satisfies your heavy lifting requirements with ease and efficiency.



Genie Industries

GS-2046, GS-2646 and GS-3246

- Swing-out battery box and power module allow easy access to components.
- Heavy duty guardrails fold down quickly without tools for increased accessibility.
- Lubrication-free, service-free linkage pivot points.
- Built-in lanyard attachment points are provided.
- The ergonomic Joystick Controller operates from the platform or the ground.
- Low noise level allows operation in quiet work environments.

- High angle steering provides excellent maneuverability.
- The solid steel deck platform has a slip-resistant surface.
- Variable speed motor extends battery and motor life by using only the energy needed to do the required work.
- High and wide set forklift pockets provide excellent stability during loading and transport.

Standard Features

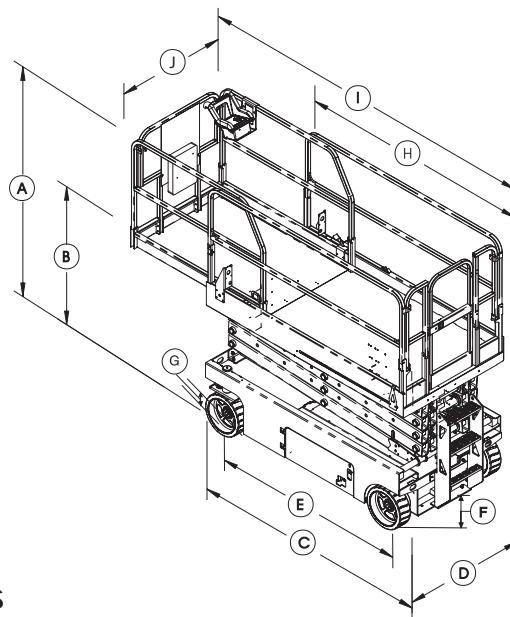
- 36 in (1 m) roll-out platform extension
- Proportional controls for lift and drive functions
- AC wiring to platform
- Multiple disc brakes provide smooth deceleration
- Manual platform lowering valve
- Tilt sensor with an audible alarm
- Lift points
- Emergency stop switches at both platform and ground controls
- Automatic 25 amp battery charger
- Manual brake release
- Non-marking tires
- Hour meter
- Platform swing gate

Options and Accessories

- Automotive horn
- Motion alarm
- Air line to platform
- Dual flashing beacons
- Power inverter
- Maintenance-free batteries
- Platform work lights
- Pipe cradle assembly

Standards Compliance

- ANSI/SIA A92.6
- CSA CAN3-B354.2-M82
- CE compliance option
- AS 1418.10



Specifications

Model	GS-2046		GS-2646		GS-3246	
	US	Metric	US	Metric	US	Metric
Working height*	26 ft	8.1 m	32 ft	9.92 m	38 ft	11.75 m
Platform height	20 ft	6.1 m	26 ft	7.92 m	32 ft	9.75 m
Ⓐ Height - stowed (guardrails folded)	61 in	155 cm	66 in	166 cm	71 in	180 cm
Height - stowed (guardrails)	84 in	213 cm	89 in	225 cm	94 in	239 cm
Ⓑ Height - stowed (platform)	40.8 in	103.5 cm	45.6 in	115.8 cm	50.5 in	128.3 cm
Ⓒ Length - stowed	95 in	241 cm	95 in	241 cm	95 in	241 cm
Ⓓ Width	46 in	116 cm	46 in	116 cm	46 in	116 cm
Ⓔ Wheelbase	73 in	185 cm	73 in	185 cm	73 in	185 cm
Ⓕ Ground clearance - at machine center	4 in	10 cm	4 in	10 cm	4 in	10 cm
Ⓖ Ground clearance - pothole guards deployed	0.75 in	1.9 cm	0.75 in	1.9 cm	0.75 in	1.9 cm
Ⓗ Platform length-stowed	89 in	226 cm	89 in	226 cm	89 in	226 cm
Ⓛ Platform length-extended	125 in	318 cm	125 in	318 cm	125 in	318 cm
Ⓜ Platform width	45.3 in	115 cm	45.3 in	115 cm	45.3 in	115 cm
Roll-out platform extension	36 in	91 cm	36 in	91 cm	36 in	91 cm
Lift capacity ANSI,CSA,AUS	1,200 lbs	544 kg	1,000 lbs	454 kg	700 lbs	318 kg
CE	1,200 - 2,171 lbs	544 - 985 kg	1,000 - 1,760 lbs	454 - 798 kg	700 - 1,540 lbs	318 - 699 kg
Extension deck lift capacity	250 lb	113 kg	250 lb	113 kg	250 lb	113 kg
Turning radius outside	90 in	229 cm	90 in	229 cm	90 in	229 cm
Turning radius inside	zero	zero	zero	zero	zero	zero
Power source	24V (4 6V 225AH batteries) (all models)					
Drive speed - stowed	2.2 mph	3.5 km/h	2.2 mph	3.5 km/h	2.2 mph	3.5 km/h
Drive speed - raised	0.5 mph	0.8 km/h	0.5 mph	0.8 km/h	0.5 mph	0.8 km/h
Raise/lower speed	30/28 sec		30/24 sec		57/40 sec	
Controls	proportional		proportional		proportional	
Tires (solid rubber)	15x5x11 in 38x13x28 cm (all models)					
Gradeability	30%/16.7°		30%/16.7°		25%/14°	
Drive	dual front wheel		dual front wheel		dual front wheel	
Multiple disc brakes	dual rear wheel		dual rear wheel		dual rear wheel	
Weight	3,910 lb	1,774 kg	4,230 lb	1,919 kg	5,130 lb	2,327 kg

*The metric equivalent of working height adds 2 m to platform height. U.S. adds 6 ft to platform height.