



### Optimal productivity

- Up to 4 simultaneous, proportional movements
- Optimal transport length

### Excellent maneuverability in the tightest spaces

- Shortest turning radius
- No turret tailswing

### Outstanding rough terrain driving features

- 4 wheel drive and 4 wheel steer
- Differential wheel lock
- 42 cm ground clearance



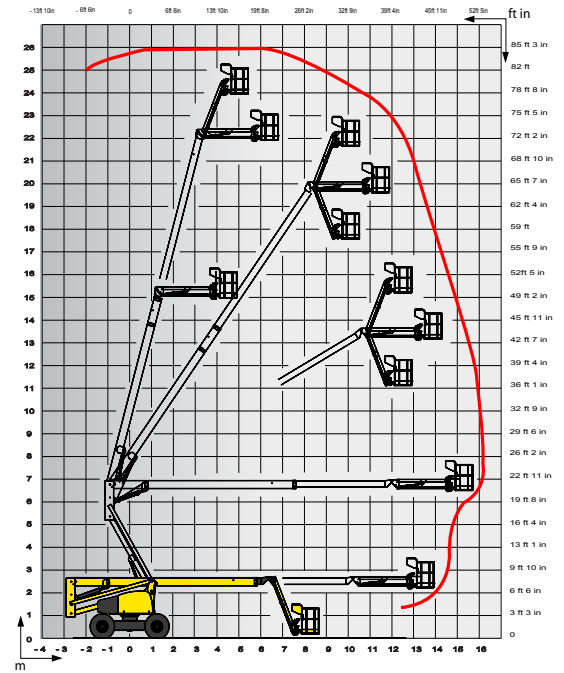
# HA260 PX

ROUGH TERRAIN ARTICULATING BOOMS

## TECHNICAL DATA

## HA260 PX

Working height	25.6 m
Platform height	23.6 m
Horizontal outreach	16.2 m
Up and over clearance	6.76 m
Lift capacity	230 kg
<b>F</b> x <b>G</b> Platform size	1.8 x 0.8 m
<b>A</b> Length - stowed	12 m
<b>H</b> Transport length	9.5 m
<b>B</b> Width	2.38 m
<b>C</b> Height - stowed	2.71 m
Vertical jib rotation	140° (+70/-70)
Platform rotation	180° (+90/-90)
Turntable rotation	360°
Tailswing	0 m
Tailswing riser down	1.76 m
<b>D</b> Wheelbase	2.8 m
<b>E</b> Ground clearance	42 cm
Tilt	5°
Drive speed	0.5 - 4.5 km/h
Gradeability	40 %
Turning radius - outside	4.15 m
Tires - foam-filled	385/65-22.5
Power source	33.2 kW - 45.1 hp
Weight	15 890 kg

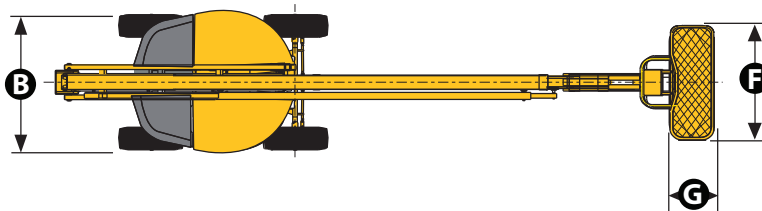
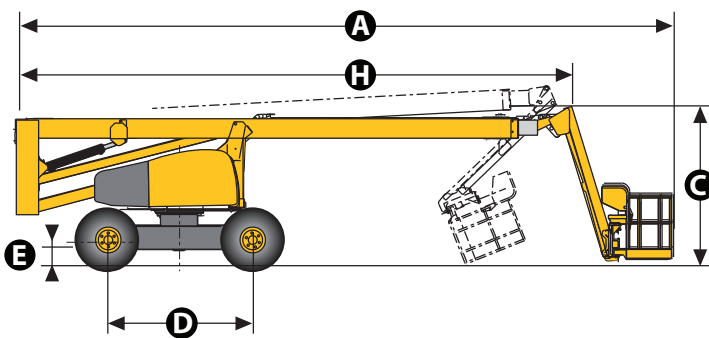


## STANDARD EQUIPMENT

- 4 Wheel drive and steer
- Differential wheel lock increasing rough terrain capacity
- Proportional controls enhancing comfort and safety
- 4 simultaneous movements for highest productivity
- 230 kg (2 persons) load capacity
- Sound and light alarm for tilt and load
- Electric pump system and emergency descent
- 12 V battery / electrical control system
- Safe to use in winds up to 45 km/h – 28 mph
- Low fuel level indicator (upper control box)
- Hourmeter
- Tow hooks

## OPTIONS AND ACCESSORIES

- On-board 3.3 kW generator
- Cold weather kit
- Power to platform (Female plug in the basket 110V/220V)
- Alarm package (motion and travel alarm)
- Travel alarm
- Rotating beacon
- 15W flashing light
- Air line to platform
- 55W platform working light
- Hydraulic oil cooler
- Hydraulic oil in tank and circuit for warm countries
- Biodegradable hydraulic oil
- Upper control box protection cover (transparent plastic and fixed place)
- Automatic Overspeed Air Shutdown Valve (Electric one-way valve, flame arrestor, spark arrestor)
- 30 mA circuit-breaker
- Large platform 2.44 m x 0.8 m with drop bar



**Head Office**  
Westside, London Road,  
Hickstead, West Sussex,  
RH17 5LZ

T 01444 88 11 88  
F 01444 88 11 99  
E [hiredesk@facelift.co.uk](mailto:hiredesk@facelift.co.uk)  
W [facelift.co.uk](http://facelift.co.uk)

**facelift**  
access and safety made easy