

COMPACT 8W/10/12



- Maximum load capacity of 992lb (450 kg)
- 10ft 6in (3,2 m) platform with extension
- 5in (13 cm) ground clearance
- Security system with Pot Hole protection

ISO 9001
GROUP
PINGUELY
HAULOTTE



ARTICULATED BOOMS



VERTICAL MASTS



TELESCOPIC BOOMS



SCISSOR LIFTS



TRAILERS

Haulotte®

ON THE UP

COMPACT 8W/10/12

Electric scissor lifts

The Haulotte® advantages

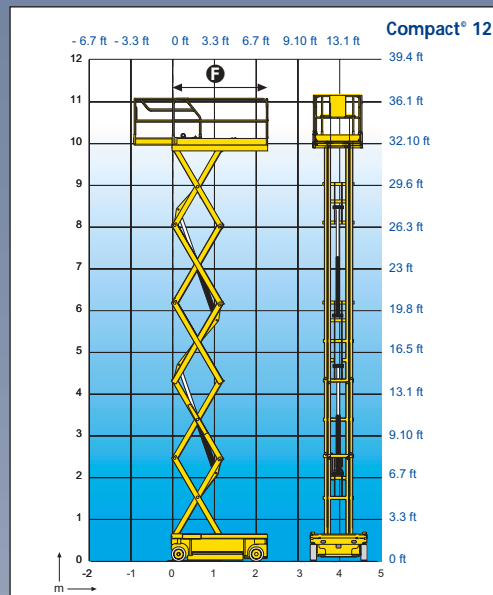
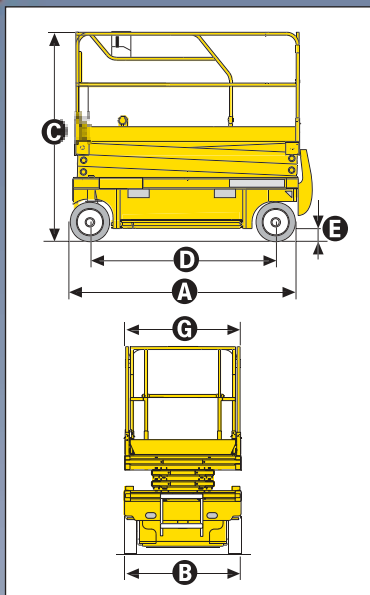
- Compact® 8W and 10 : 990 lb (450 kg) platform capacity
- Compact® 12 : 660 lb (300 kg) platform capacity
- 47 in (1.20 m) width allows operation in the most congested areas
- 5 in (13 cm) ground clearance allows for both inside and outside use
- Pot Hole protection ensures maximum safety
- High operating autonomy
- Robust, reliable and easy to maintain design

STANDARD FEATURES

- 2 front wheel drive and steer
- Non marking tyres
- 3° tilt alarm
- 2 drive speeds
- 0.92m (3 ft) platform extension
- Load limiter with beep
- Removable control box
- Free wheeling device
- 24V – 4 x 6 V – 240 Ah batteries
- 30A charger
- Battery charge indicator
- Hourmeter
- Horn in cage
- Towing hooks and lifting eyes
- Safety hooks for harness
- Emergency lowering pull handle

OPTIONS & ACCESSORIES

- Motion alarm
- Electric plug in cage
- Folding guardrails
- Working light
- Flashing light
- Centralised batteries filling
- 1.5m extension from control box



SPECIFICATIONS

	Compact 8W		Compact 10		Compact 12	
Working height	8,27 m	27ft 2in	10,14 m	33ft3in	12 m	39ft4in
Platform height	6,27 m	20ft 7in	8,14 m	26ft8in	10 m	32ft10in
Driveable up to	8,27 m	27ft 2in	8,14 m	26ft 8in	8 m	26ft3in
Maximum capacity	450 kg	992lb	450 kg	992lb	300 kg	661 lb
A Length	2,31 m	7ft 7in	2,31 m	7ft 7in	2,31 m	7ft 7in
with access steps	2,46 m	96in	2,46 m	96in	2,46 m	96in
B Width	1,20 m	3ft 11in	1,20 m	3ft 11in	1,20 m	3ft 11in
C Height (guardrails)	2,14 m	7ft	2,26 m	7ft5in	2,38 m	7ft10in
Height (plat-form)	1,02 m	3ft 4in	1,14 m	3ft9in	1,26 m	4ft2in
D Wheelbase	1,86 m	6ft 1in	1,86 m	6ft 1in	1,86 m	6ft 1in
E Ground clearance	13 cm	51in	13 cm	51in	13 cm	51in
with deployed pot-hole	2,5 cm	1in	2,5 cm	1in	2,5 cm	1in
F x G Platform size	2.3m x 1.2m		7ft 6in x 3ft 11in			
Platform extension	0,92 m	36in	0,92 m	36in	0,92 m	36in
Capacity on extension	150 kg	331lb	150 kg	331lb	150 kg	331lb
Drive speed	1 - 3 km/h		0.62 - 1.83mph			
Inside turning radius	0,2 m	78in	0,2 m	78in	0,2 m	78in
Outside turning radius	2,5 m	8ft 2in	2,5 m	8ft 2in	2,5 m	8ft 2in
Raise / lower speed (sec.)	30/30		35/35		45/45	
Maximum gradeability	23 %					
Tilt alarm	3°					
Movements	Proportional controls					
Batteries	240 Amp/h					
Non marking tyres	solid 38x13x5cm			solid 15x5x2 in		
Weight	1 950 kg	4299lb	2 330 kg	5 136lb	2 630 kg	5 798lb

