

800 Series

TELESCOPIC BOOM LIFTS



**Narrow Fixed
Width - Low GVW**



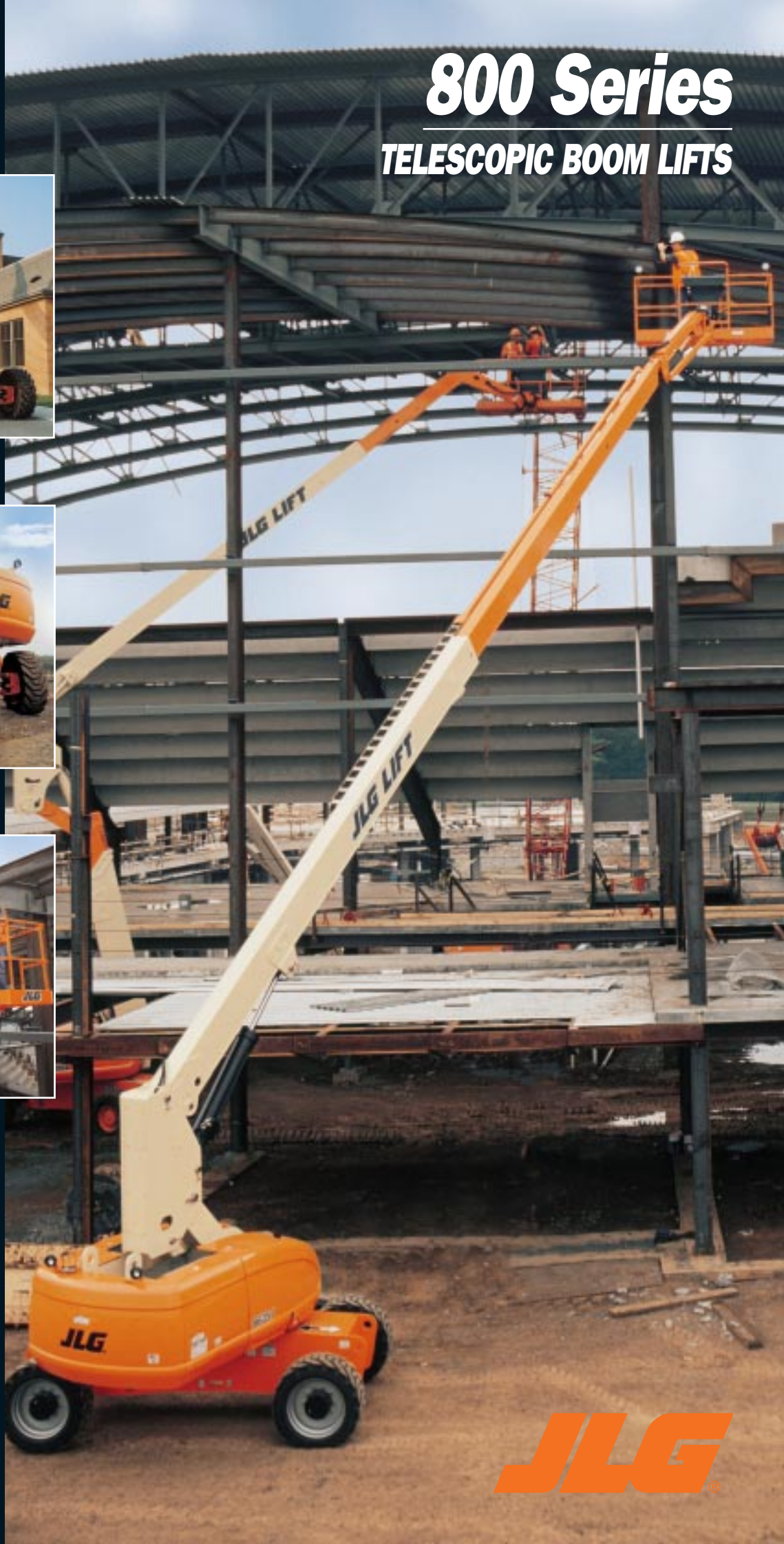
**Jobsite Proven
Performance**



Articulating Jib



**800S
860SJ**



Optimum Productivity – Lower Ownership and Operating Costs

The new Models 800S and 860SJ telescoping boom lifts from JLG feature an innovative boom design that allows for a narrow fixed working width and low gross vehicle weight. The results are machines with unsurpassed performance and manoeuvrability designed to optimize your productivity and reduce your ownership and operating costs.



Optimum Performance

Time wasted is money lost! The 860SJ gets you from the ground to 26.21 m (86 ft.) in less than 67 seconds – 40% faster than the competition. The 800 Series lets you spend more time working and less time getting there.

Operator Preferred Controls – Now with the Control ADE™ System



JLG's Exclusive Advanced Design Electronics (Control ADE™) System helps optimize productivity while lowering your ownership and operating costs.

- **Higher Productivity** – The Control ADE™ System by JLG provides smoother machine functions, increased fuel efficiency and reduced emissions.
- **Commonality of Components** – The Control ADE™ System is standard across all JLG engine powered boom models.
- **Enhanced Reliability** – The Control ADE™ System significantly reduces the number of wires and connections.
- **Improved Serviceability** – The Control ADE™ System self-test capability reduces troubleshooting time and identifies potential problems.
- **Enhanced Performance** – The Control ADE™ System allows function speeds and options to be customised to meet customer preferences.

Service and Reliability

Preventative maintenance and downtime are facts of life for any piece of equipment. The 800 Series is designed to reduce these costs and optimize machine uptime. Better fuel efficiency, a swing-out engine tray and JLG's Control ADE™ System are just some of the features that help keep your ownership and operating costs low and your machine working.

Oscillating Axle

Construction jobsite conditions range from deep mud to sand to deeply rutted, hard-packed dirt. Sometimes on the same job! The standard oscillating axle provides a smoother ride and better traction in all types of conditions. 45% gradeability on 4x4 models reflects real jobsite performance.





Fixed Width Plus Low GVW

Both the Models 800S and 860SJ are housed on a 2.49 m (8'2") fixed-width frame. Extending axles are not required which means faster set-up times on the job and less components requiring maintenance. Plus, the narrow working width allows access to those congested areas off-limits to wider machines.



Articulating Jib

The 860SJ features a versatile 1.83 m (6 ft.) articulating jib boom. A wide range of motion (+70 to -60 degrees) relative to the main boom permits greater versatility in the immediate vicinity of the elevated work position.



Options* to Create Your Workstation in the Sky™

Transform your Model 800S or 860SJ into a true Workstation in the Sky™ with exclusive options and accessories from JLG. Whether designed for a specific application like the SkyWelder™ Package or to meet a variety of needs like the SkyPower™ Package, JLG has many options available to increase your productivity and enhance your work environment.



SkyPower™ Package

JLG delivers more power where you need it with the SkyPower™ Package. Machines outfitted with the SkyPower™ Package include a 7500W self-contained generator, plus a power cable and a 12 mm (0.5") air line routed through the boom's power track to the platform. As an added benefit, the SkyPower™ Package is designed to work with various add-on accessories, including the SkyWelder™ Package.

SkyWelder™ Package

Looking for a better way to meet your overhead welding needs? Equip your new 800 Series boom lifts with JLG's innovative SkyWelder™ Package. A 250-amp welder that includes a 7500W generator provides the power you need to effectively and efficiently complete the job. No more unsightly and dangerous welding leads hanging from platforms. No more extra costs for stand-alone welders and power supplies.



Nite-Bright™ Package

See your work environment in a whole new light with the Nite-Bright™ Package. JLG's all new Nite-Bright Package consists of six 40-watt lights—four chassis mounted lights and two platform mounted lights. The Nite-Bright Package illuminates your work site plus the area around the chassis for increased visibility, and is perfect for tunnel or mine applications, night time work or any job with low lighting levels.

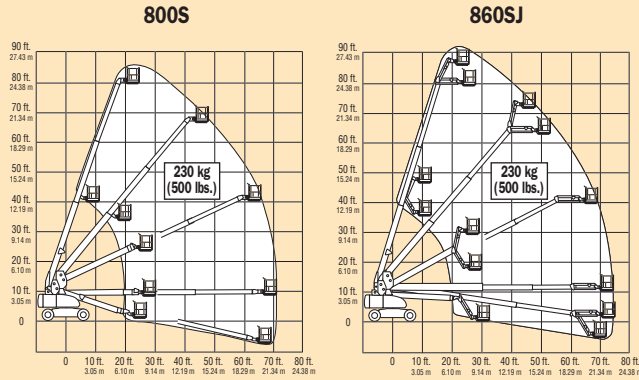
Pipe Rack Accessory

JLG's exclusive Pipe Rack Accessory is designed to secure pipes close to where they are needed. The pipe rack is mounted to the top platform rail and can hold up to 80 kg (180 lbs.) of pipe.



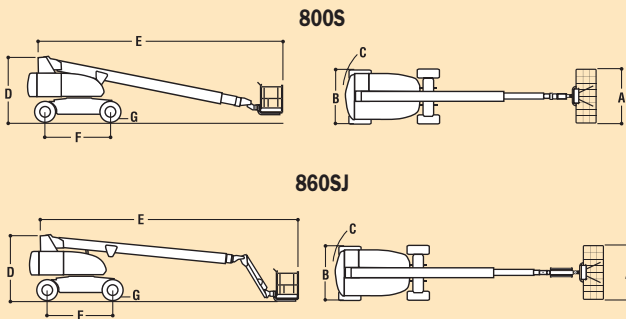
*Certain options and accessories are not available on all models, and other restrictions or conditions may apply. Please consult your local JLG representative.

JLG MODEL 800S/860SJ SERIES



REACH SPECIFICATIONS

Platform Height (800S)	24.38 m (80 ft.)
Platform Height (860SJ)	26.21 m (86 ft.)
Horizontal Reach (800S)	21.64 m (71 ft.)
Horizontal Reach (860SJ)	22.86 m (75 ft.)
Swing	360 Degrees Continuous
Platform Capacity - Unrestricted	230 kg (500 lbs.)
Platform Rotator	180 Degrees
Jib - Overall Length Range of Articulation (860SJ)	1.83 m (6 ft.)
Jib - Range of Articulation (860SJ)	130 Degrees (+70, -60)



DIMENSIONAL DATA

A. Platform Size	0.91 x 2.44 m (36 x 96 in.)
B. Overall Width	2.49 m (8 ft. 2 in.)
C. Tailswing	1.42 m (4 ft. 8 in.)
D. Stowed Height (800S)	3.02 m (9 ft. 11 in.)
D. Stowed Height (860SJ)	3.05 m (10 ft.)
E. Stowed Length (800S)	11.35 m (37 ft. 3 in.)
E. Stowed Length (860SJ)	12.19 m (40 ft.)
F. Wheel Base	3.05 m (10 ft.)
G. Ground Clearance	0.30 m (12 in.)
Gross Vehicle Weight (800S)*	14,820 kg (32,675 lbs.)
Gross Vehicle Weight (860SJ)*	16,490kg (36,350 lbs.)
Max Ground Bearing Pressure (800S)	5.6 kg/cm ² (71.5 psi)
Max Ground Bearing Pressure (860SJ)	6.5 kg/cm ² (92.4 psi)

CHASSIS

Drive Speed - 2WD/4WD	5.6 km/h (3.5 mph)
Gradeability - 2WD/4WD	30%/45%
Turning Radius - Inside	3.66 m (12 ft.)
Turning Radius - Outside	6.86 m (22 ft. 6 in.)
Tyres	Foam Filled 15 x 24.5

POWER SOURCE

Diesel Engine, Deutz F4M2011	48 kW (65 hp)
Fuel Tank Capacity	117 L (31 gal.)
Hydraulic Reservoir	151 L (40 gal.)
Auxiliary Power	12V DC

*May vary dependent on regional requirements
Specifications may change to meet country standards or with the addition of optional equipment.

Standard Features

- 36 in. x 96 in. (0.91 x 2.44 m) Platform
- Slide Bar Gate
- 180 Degree Hydraulic Platform Rotator
- AC Cable to Platform
- 4 Degree Tilt Alarm/Indicator Light
- Swing-Out Engine Tray
- 12V-DC Auxiliary Power
- Hourmeter
- Control ADE™ System
- Proportional Controls
- Gull-Wing Engine Hood
- Hydrostatic Transmission
- Operator Tool Tray
- Platform Console Machine Status Light Panel¹
- Lifting/Tie Down Lugs
- Engine Distress Warning
- 15 x 24.5 Rim Protector Foam Filled Lug Tread Tyres
- Engine Distress Warning System²
- Fuel Gauge

1. Provides indicator lights at platform control console for system distress, low fuel, 4 degree tilt light, and foot switch status.
2. Low oil pressure and high coolant temperature alarms.

Options*

- Oscillating Axle
- 36 in. x 72 in. (0.91 x 1.83 m) Platform
- Light Package¹
- Alarm Package²
- 12 mm Air Line to Platform
- Soft Touch Proximity System
- 18 x 24.5 Rim Protector Foam Filled Lug Tread Tyres
- On-board 2500W Generator
- Tow Package
- Hostile Environment Kit³

1. Includes head and tail lights, and platform work lights.
2. Includes all motion alarm and flashing amber beacon.
3. Includes console cover, boom wipers and cylinder bellows.

Accessories*

- SkyPower™ Package**—Includes 7500W generator, power cable to platform, and 12 mm air line to platform.
- SkyWelder™ Package**— Includes SkyPower Package, 250-amp welder in the platform, leads, clamp and stinger.
- Nite-Bright™ Package**—Includes six 40-watt lights (platform and chassis mounted).
- Pipe Rack**—Platform mounted 80 kg (180 lbs.) capacity.

*Certain options and accessories are not available on all models, and other restrictions or conditions may apply. Please consult your local JLG representative.

The JLG "1 & 5" Warranty

JLG Industries, Inc. backs our products with our exclusive "1 & 5" Warranty. We provide coverage on all products for one (1) full year, and cover all specified major structural components for five (5) years. Due to continuous product improvements, we reserve the right to make specification and/or equipment changes without prior notification.

This machine meets or exceeds applicable ANSI A92.6-1999, CAN3-B354.2-M82 and OSHA regulations in 29 CFR 1910.67 and 29 CFR 1926.453 as originally manufactured for intended applications.

