

nifty



nifty

SD50

SELF DRIVE WORK PLATFORM



56ft 1in (17.10m)

Working height

28ft 6in (8.70m)

Working outreach

Weight Saving Design

Easily transported & maneuvered on site

Telescopic Upper Boom

Greater accuracy when positioning the platform

Bi-Energy Available

Optimises utilization

Hydraulic Outriggers

For quick & easy set up

Fully Proportional Hydraulic Controls

Simple, reliable & easy to maintain

Platform Rotation

Improved access to applications

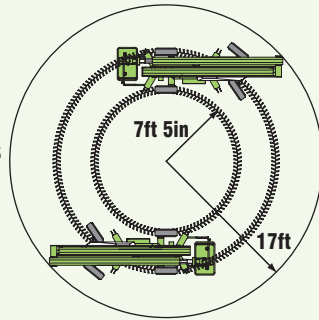


nifty SD50

The Nifty SD50 combines the best of our self-propelled and trailer mounted ranges. It offers the same staggering reach capabilities as the TM50 but with the versatility of a robust, yet very lightweight driveable base. This allows the operator to maneuver, set up and operate this machine without leaving the platform, especially useful on uneven surfaces.

SAFETY FEATURES

- Pressure Sensitive Outriggers
- Audible & Visual Alarms
- Lock Valves on all Hydraulic Cylinders
- Dual Controls (Platform & Base)
- Manual Recovery with Hand-Pump
- Double acting cylinders
- Meets OSHA and ANSI Regulations



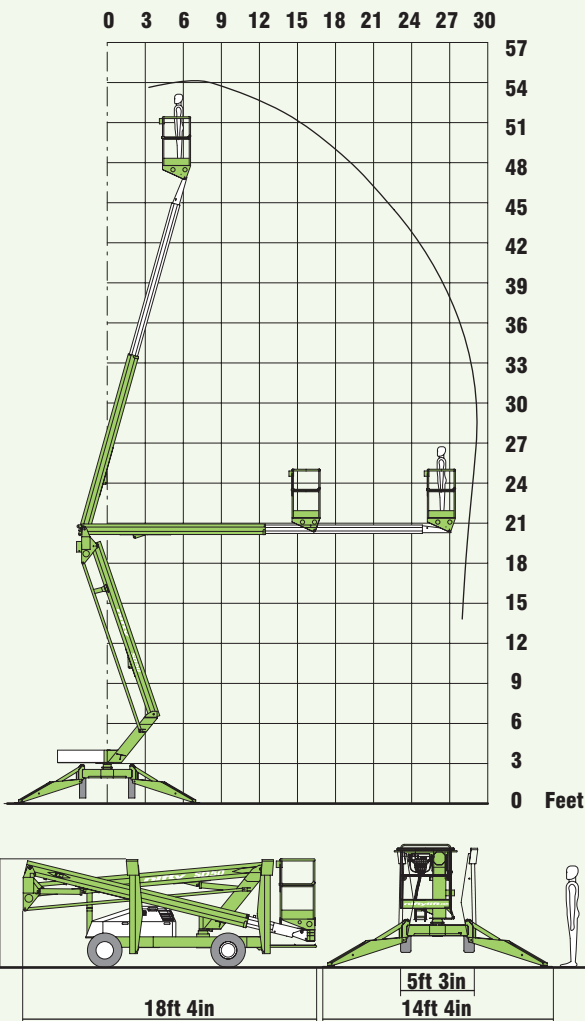
The SD50's outstanding reach makes it ideal for construction site work. Also available trailer mounted, see the Nifty TM50 specification sheet.



Rough terrain tires as standard and the 4WD option allow the SD50 to maneuver easily over a wide range of site conditions.

SPECIFICATIONS

Working Height	56ft 1in	17.10m
Platform Height	49ft 6in	15.10m
Working Outreach	28ft 6in	8.70m
Slew	360°	
Width - Traveling	5ft 3in	1.60m
- Working	14ft 4in	4.37m
Height - Stowed	6ft 11in	2.10m
Length - Overall	18ft 4in	5.60m
Weight	4950lbs - 5390lbs*	2250kg - 2450kg*
Turning Radius - Inside	7ft 5in	2.25m
- Outside	17ft	5.18m
Platform Rotation	100°	
Platform Capacity	500lbs	225kg
Platform Size	3ft 8in x 2ft 1in	1.10m x 0.65m
Drive Systems	Fully proportional 2WD, 2 wheel steer, rear wheel braking. Optional 4WD, 2 wheel steer and hydrostatic braking, oscillating axle for rough terrain.	
Control System	Fully proportional hydraulic controls.	
Power Options	Battery Only Gas or Diesel Only Bi-Energy (engine and battery)	



Due to a policy of continuing development and improvement, Niftylift reserves the right to change any specification without notice. Please confirm exact specification before ordering.

* Weights may vary according to specification / power options, please confirm before ordering.