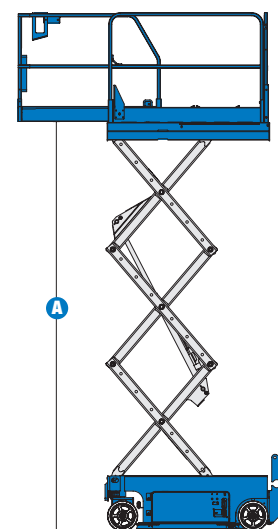
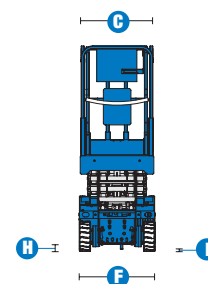
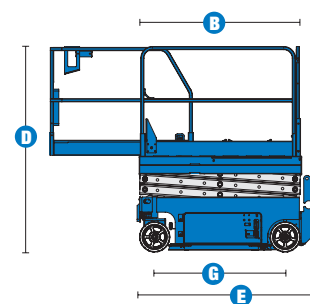


Specifications

| MODELS | GS™-1532 | | GS™-1932 | |
|---|----------|-----------|----------|------------|
| MEASUREMENTS | Metric | US | Metric | US |
| Working height maximum* | 6.57 m | 21 ft | 7.79 m | 25 ft |
| A Platform height maximum | 4.57 m | 15 ft | 5.79 m | 19 ft |
| B Platform length - outside | 1.63 m | 5 ft 4 in | 1.63 m | 5 ft 4 in |
| extended | 2.54 m | 8 ft 4 in | 2.54 m | 8 ft 4 in |
| Slide-out platform extension deck | 91 cm | 3 ft | 91 cm | 3 ft |
| C Platform width - outside | 74 cm | 2 ft 5 in | 74 cm | 2 ft 5 in |
| Guardrail height: | 1.10 m | 3 ft 7 in | 1.10 m | 3 ft 7 in |
| Toeboard height | 15 cm | 6 in | 15 cm | 6 in |
| D Height - stowed:fixed rails | 1.96 m | 6 ft 5 in | 2.00 m | 6 ft 7 in |
| folding guardrails | 2.03 m | 6 ft 8 in | 2.11 m | 6 ft 11 in |
| rails folded | 1.73 m | 5 ft 8 in | 1.75 m | 5 ft 9 in |
| E Length - stowed | 1.83 m | 6 ft | 1.83 m | 6 ft |
| Length - stowed extended | 2.74 m | 9 ft | 2.74 m | 9 ft |
| F Width | 81.3 cm | 2 ft 8 in | 81.3 cm | 2 ft 8 in |
| G Wheelbase | 1.32 m | 4 ft 4 in | 1.32 m | 4 ft 4 in |
| H Ground clearance - centre | 6 cm | 2.4 in | 6 cm | 2.4 in |
| I - with pothole guards deployed | 2 cm | .75 in | 2 cm | .75 in |



PRODUCTIVITY

| | | | | |
|---|------------------|-----------------|------------------|-----------------|
| Max platform occupancy (indoor/outdoor) | 2/1 | 2/1 | 2/1 | 2/1 |
| Lift capacity | 272 kg | 600 lbs | 227 kg | 500 lbs |
| Drive speed - stowed | 4.0 km/h | 2.5 mph | 4.0 km/h | 2.5 mph |
| Drive speed - raised | 0.8 km/h | 0.5 mph | 0.8 km/h | 0.5 mph |
| Gradeability** | 30% | 30% | 30% | 30% |
| Turning radius - inside | zero | zero | zero | zero |
| Turning radius - outside | 1.55 m | 5 ft 1 in | 1.55 m | 5 ft 1 in |
| Raise / lower speed | 16 / 29 sec | 16 / 29 sec | 16 / 25 sec | 16 / 25 sec |
| Controls | proportional | | proportional | |
| Drive | dual front wheel | | dual front wheel | |
| Multiple disc brakes | dual rear wheel | | dual rear wheel | |
| Tyres - solid non-marking | 30 x 11 x 20 cm | 12 x 4.5 x 8 in | 30 x 11 x 20 cm | 12 x 4.5 x 8 in |

POWER

| | | |
|---------------------------|----------------------------------|----------------------------------|
| Power source | 24 V (four 6 V 225 Ah batteries) | 24 V (four 6 V 225 Ah batteries) |
| Hydraulic system capacity | 14.2 L | 3.75 gal |

WEIGHT***

| | | | | |
|--|----------|-----------|----------|-----------|
| | 1,233 kg | 2,718 lbs | 1,498 kg | 3,302 lbs |
|--|----------|-----------|----------|-----------|

STANDARDS COMPLIANCE

CE EN280, PB-10-611-03

* The metric equivalent of working height adds 2 m to platform height. U.S. adds 6 ft to platform height.
 ** Gradeability applies to driving on slopes, see Operator's Manual for details regarding slope ratings.
 *** Weight will vary depending on options and/or country standards.



Features

STANDARD FEATURES

MEASUREMENTS

GS™-1532

- 6.57 m (21 ft) working height
- Up to 272 kg (600 lb) lift capacity

GS™-1932

- 7.79 m (25 ft) working height
- Up to 227 kg (500 lb) lift capacity

PRODUCTIVITY

- 1.63 m x 74 cm (64 in x 29 in) steel platform
- Folding rails with half-height swing gate
- 91 cm (3 ft) extension deck
- Dual front wheel drive
- Proportional lift and drive
- Automatic battery charger
- 30% gradeability
- Platform control with battery charge indicator and diagnostic display
- AC power to platform
- Manual platform lowering valve
- Emergency stop at both platform and ground controls
- Rear wheel multiple disc brakes
- Front wheel hydraulic dynamic braking
- Manual brake release
- Solid non-marking tyres
- Pothole guards
- Tilt level sensor with audible alarm
- Descent alarm
- Electronic horn
- Hour meter
- Certified load sensor

POWER

- 24 V DC (four 6 V 225 Ah batteries)



OPTIONS & ACCESSORIES

PRODUCTIVITY

- Platform swing gate, half height
- Air line to platform
- Dual flashing beacons
- Motion package
- Platform work lights
- Automotive horn

POWER

- Power inverter (not available on the GS-1932)
- Maintenance-free batteries

UK

Millennium House
Brunel Drive
Newark NG24 2DE
UK
Tel: +44 (0)1476 584333
Fax: +44 (0)1476 584334

France

10, ZA de la Croix St. Mathieu
28320 Gallardon
France
Tel: +33 (0)2 37 26 09 99
Fax: +33 (0)2 37 26 09 98

Germany

Finienweg 3
28832 Achim/Bremen
Germany
Tel: +49 (0)4202 8852-0
Fax: +49 (0)4202 8852-25

Spain

Gaià 31, Pol. Ind. Plá d'en Coll
08110 Montcada i Reixac
Barcelona
Spain
Tel: +34 93 572 50 90
Fax: +34 93 572 50 91

Scandinavia

Importgatan 17
422 46 Hisings Backa
Sweden
Tel: +46 31 57 51 00
Fax: +46 31 57 90 20

Middle East

Terex Middle East
PO Box 282325, Dubai
U.A.E.
Tel: +971 4 885 8030
Fax: +971 4 885 6364
Email: awp.infome@terex.com

Genie United States

18340 NE 76th Street
P.O. Box 97030
Redmond, WA
USA 98073-9730
Tel: +1 425 881-1800
Fax: +1 425 883-3475

Email: AWP-InfoEurope@terex.com

Distributed By:

Head Office
Westside, London Road,
Hickstead, West Sussex,
RH17 5LZ
T 01444 88 11 88
F 01444 88 11 99
E hiredesk@facelift.co.uk
W facelift.co.uk

facelift
access and safety made easy