



QUICK-UP

A wide range of machines to meet your every need

- Working heights from 7 to 14 m
- 2 available versions supply-power (AC) or batteries (DC)

The Quick-Up will follow you on every project

- Easy to transport on a trailer or van
- Only one person is needed to install a Quick Up
- The light weight enables use on fragile grounds, tiles, carpeting...
- Quick up are extremely compact, they can access the tightest spaces, fit through standard doorways and can be transported in lifts

Haulotte 
GROUP

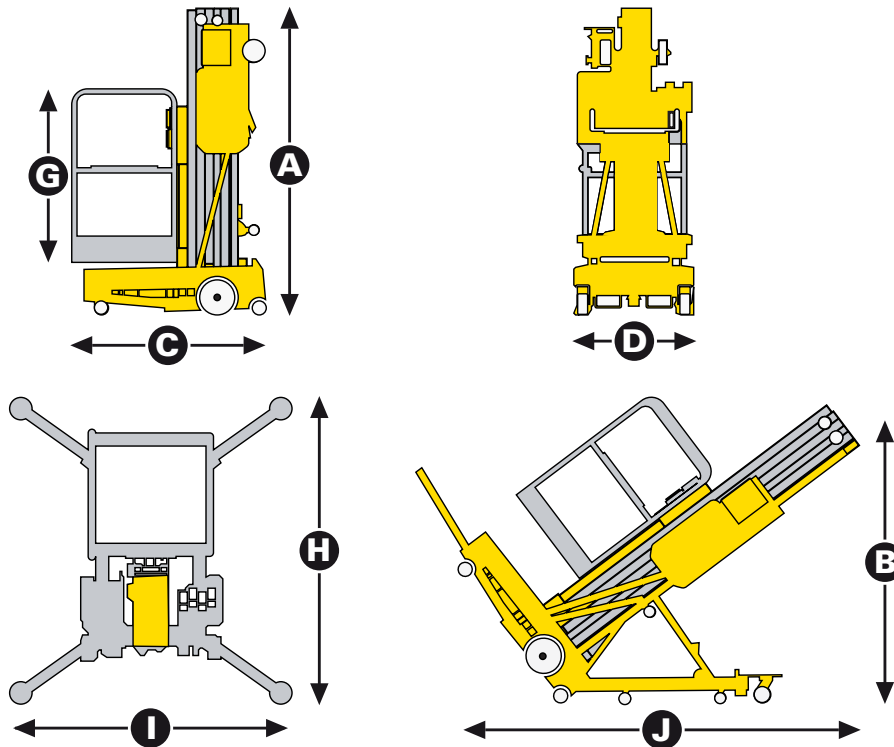
More than lifting

facelift
access and safety made easy



QUICK-UP 7 / 8 / 9 / 11 / 12 / 13 / 14

PUSH AROUND BOOMS



TECHNICAL DATA

	QUICK-UP 7	QUICK-UP 8	QUICK-UP 9	QUICK-UP 11	QUICK-UP 12	QUICK-UP 13	QUICK-UP 14
Working height	6.7 m	8.1 m	9.5 m	10.8 m	12.3 m	13.7 m	14.3 m
Platform height	4.7 m	6.1 m	7.5 m	8.8 m	10.3 m	11.7 m	12.3 m
Lift capacity	200 kg	159 kg	159 kg	159 kg	136 kg	136 kg	136 kg
Platform size	0.68 x 0.66 m	0.68 x 0.66 m	0.68 x 0.66 m	0.68 x 0.66 m	0.68 x 0.66 m	0.68 x 0.66 m	0.68 x 0.66 m
C Length	1.22 m	1.28 m	1.28 m	1.34 m	1.4 m	1.47 m	1.42 m
D Width	0.8 m	0.8 m	0.8 m	0.8 m	0.8 m	0.8 m	0.8 m
A Height - stowed	1.78 m	1.98 m	1.98 m	1.98 m	1.98 m	1.98 m	2.8 m
I Width - stabilised	1.55 m	1.55 m	1.55 m	1.55 m	2.06 m	2.34 m	2.33 m
H Length - stabilised	1.75 m	1.75 m	1.75 m	1.75 m	2.26 m	2.7 m	2.58 m
J x B Tilt bar	N/A	N/A	N/A	N/A	N/A	N/A	2.85 x 1.99 m
Energy (AC)	110 or 230 V	110 or 230 V	110 or 230 V	110 or 230 V	110 or 230 V	110 or 230 V	110 or 230 V
Weight (AC)	315 kg	340 kg	360 kg	380 kg	415 kg	455 kg	515 kg
Energy (DC)	12 V	12 V	12 V	12 V	12 V	12 V	12 V
Weight (DC)	357 kg	382 kg	402 kg	422 kg	457 kg	497 kg	557 kg

STANDARD EQUIPMENT

- Easy to use thanks push button controls
- Emergency control
- Manual platform lowering valve
- Integrated forklift pockets
- Lifting eye
- Non marking wheels
- Harness attachment point
- Lights on control box to confirm stabilizers are set

OPTIONS AND ACCESSORIES

- Battery version (DC power)

Head Office
Westside, London Road,
Hickstead, West Sussex,
RH17 5LZ

T 01444 88 11 88
F 01444 88 11 99
E hiredesk@facelift.co.uk
W facelift.co.uk

facelift
access and safety made easy