

SJ12/16

VERTICAL MAST LIFTS



STANDARD FEATURES

- Drivable at full height
- Variable speed, front two wheel hydraulic drive
- Zero inside turning radius
- Dual holding brakes
- Proportional controls
- 20" (0.51 m) Traversing platform
- 24V DC power source
- Low voltage battery protection
- 30% Gradeability
- Solid rubber, non-marking tires
- Pothole protection system
- 110V AC outlet at platform with GFI
- 28 mph wind rating (12.5 m/s)
- Tilt alarm with drive & lift cut-out
- All motion audible alarm
- Lanyard attachment points
- Operator horn
- Lift rings/tie downs
- Chain entrance
- Relay based control system
- Color coded and numbered wiring system
- Telematics ready

ACCESSORIES AND OPTIONS

- Dual flashing lights
- AC inverter
- AGM Batteries
- Full height spring hinged gate
- Saloon gate
- Light duty pipe rack/steel stud rack
- Tool tray
- Florescent tube carrier
- Bio oil
- Non destructive testing
- Warranty Options (3 year or 5 year plans available)

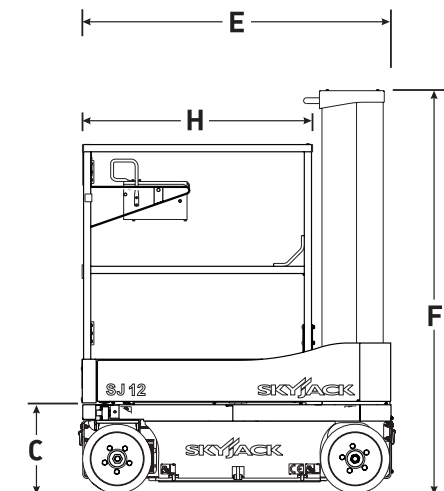
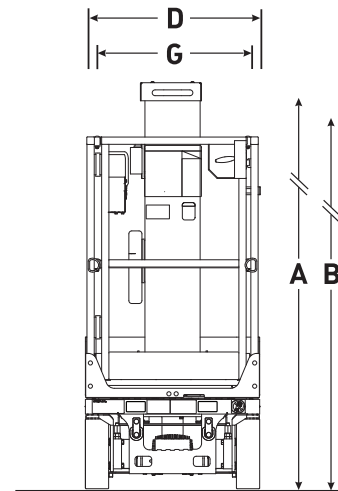
* Standard lead times may be increased when optional equipment is added, consult factory.

† Capacities, and machine weights may differ when options are added.

SJ12/16 VERTICAL MAST LIFTS

| Dimensions | SJ12 | SJ16 |
|---|----------------|----------------|
| A Work Height | 18' (5.48 m) | 21'7" (6.58 m) |
| B Raised Platform Height | 12' (3.65 m) | 15'7" (4.75 m) |
| C Lowered Platform Height | 18" (0.45 m) | 18" (0.45 m) |
| D Overall Width | 30.5" (0.77 m) | 30.5" (0.77 m) |
| E Overall Length | 54" (1.37 m) | 54" (1.37 m) |
| F Stowed Height | 70.3" (1.79 m) | 70.3" (1.79 m) |
| G Platform Width (Inside Dimension) | 27" (0.69 m) | 27" (0.69 m) |
| H Platform Length (Inside Dimension) | 36.8" (0.93 m) | 36.8" (0.93 m) |

| Specifications | SJ12 | SJ16 |
|--------------------------------------|---------------------|---------------------|
| Ground Clearance (Stowed) | 2.1" (5.33 cm) | 2.1" (5.33 cm) |
| Ground Clearance (Raised) | 0.63" (1.60 cm) | 0.63" (1.60 cm) |
| Weight | 1,720 lbs (782 kg) | 2,130 lbs (966 kg) |
| Local Floor Load (with rated load) | 101 psi (696 kPa) | 120 psi (827 kPa) |
| Local Floor Load (no load) | 80 psi (552 kPa) | 92 psi (634 kPa) |
| Overall Floor Load (with rated load) | 196 psf (9 kPa) | 234 psf (11 kPa) |
| Gradeability | 30% | 30% |
| Turning Radius (Inside) | 0 | 0 |
| Turning Radius (Outside) | 55" (1.40 m) | 55" (1.40 m) |
| Lift Time (With Rated Load) | 16 sec | 20 sec |
| Lower time (With Rated Load) | 14 sec | 18 sec |
| Drive Speed (Stowed) | 2.5 mph (4.0 km/h) | 2.5 mph (4.0 km/h) |
| Drive Speed (Raised) | 0.5 mph (0.80 km/h) | 0.5 mph (0.80 km/h) |
| Maximum Drive Height | Full Height | Full Height |
| Capacity (Overall) | 500 lbs (227 kg) | 500 lbs (227 kg) |
| Maximum # of Persons | 2 | 2 |
| Wind Rating | 28 mph (12.5 m/s) | 28 mph (12.5 m/s) |
| Tire Type | Solid, N/M | Solid, N/M |
| Tire Size | 12 x 4 x 8 | 12 x 4 x 8 |



Head Office
 Westside, London Road,
 Hickstead, West Sussex,
 RH17 5LZ

T 01444 88 11 88
 F 01444 88 11 99
 E hiredesk@facelift.co.uk
 W facelift.co.uk

facelift
 access and safety made easy