



SJIII 3220/26

ELECTRIC SCISSOR LIFTS

STANDARD FEATURES

- Drivable at full height
- Variable speed, rear two wheel hydraulic drive
- Dual holding brakes
- Proportional controls for drive & lift functions
- 3' (0.91 m) Roll out extension deck
- 24V DC power source
- Low voltage battery protection
- Up to 30% Gradeability
- Solid rubber, non-marking tires
- Pothole protection system
- 110V AC outlet on platform with GFI
- 28 mph wind rating (12.5 m/s)
- Tilt alarm with drive & lift cut-out
- All motion audible alarm
- Lanyard attachment points
- Operator horn
- Hinged railing system (3226)
- Forklift pockets and tie down/lift lugs
- Relay based control system
- Color coded and numbered wiring system
- Telematics ready

ACCESSORIES AND OPTIONS

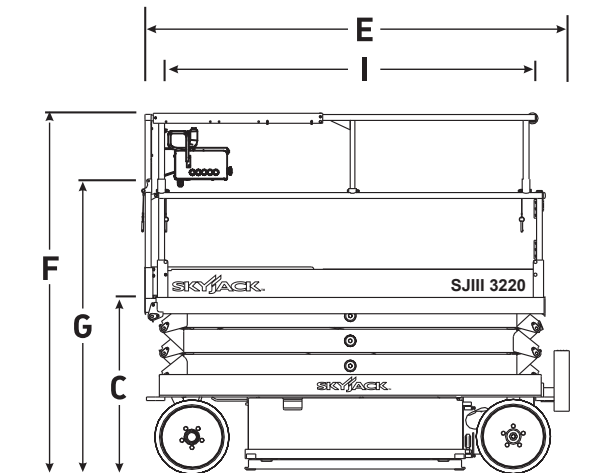
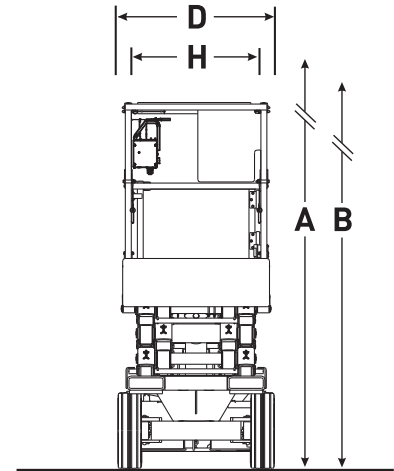
- Flashing light
- Dual flashing lights
- Extended control box cable
- Pipe rack (3220)
- Drywall carrier (3226)
- 6' (1.8 m) Powered ext. deck (3220)*
- 800W AC inverter
- 250 Ah batteries (cannot be combined with EE rating package)
- AGM Batteries
- EE rating package
- DC motor controller
- Hinged railing system (3220)
- Half height spring hinged gate
- Full height spring hinged gate*
- Non destructive testing
- Warranty Options (3 year or 5 year plans available)

* Not available with hinged railing system.

† Capacities, and machine weights may differ when options are added.

SJIII 3220/26 ELECTRIC SCISSOR LIFTS

| Dimensions | SJIII 3220 | SJIII 3226 |
|---|----------------------|----------------------|
| A Work Height | 26' (7.92 m) | 32' (9.75 m) |
| B Raised Platform Height | 20' (6.10 m) | 26' (7.92 m) |
| C Lowered Platform Height | 38" (0.97 m) | 45" (1.14 m) |
| D Overall Width | 32" (0.81 m) | 32" (0.81 m) |
| E Overall Length | 91.5" (2.32 m) | 91.5" (2.32 m) |
| F Stowed Height (Rails Up) | 77.5" (1.97 m) | 84.7" (2.15 m) |
| G Stowed Height (Rails Down) | OPT 63.5" (1.61 m) | 70.6" (1.79 m) |
| H Platform Width (Inside Dimension) | 28" (0.71 m) | 28" (0.71 m) |
| I Platform Length (Inside Dimension) | 84" (2.13 m) | 84" (2.13 m) |
| Specifications | SJIII 3220 | SJIII 3226 |
| Extension Deck (Roll Out) | 3' (0.91 m) | 3' (0.91 m) |
| Ground Clearance (Stowed) | 3.5" (8.89 cm) | 3.5" (8.89 cm) |
| Ground Clearance (Raised) | 0.75" (1.90 cm) | 0.75" (1.90 cm) |
| Wheelbase | 69" (1.75 m) | 69" (1.75 m) |
| Weight | 3,510 lbs (1,592 kg) | 4,135 lbs (1,876 kg) |
| Gradeability | 30% | 30% |
| Turning Radius (Inside) | 50" (1.27 m) | 50" (1.27 m) |
| Turning Radius (Outside) | 108" (2.74 m) | 108" (2.74 m) |
| Lift Time (With Rated Load) | 33 sec | 56 sec |
| Lower time (With Rated Load) | 29 sec | 42 sec |
| Drive Speed (Stowed) | 2 mph (3.2 km/h) | 2.4 mph (3.9 km/h) |
| Drive Speed (Raised) | 0.7 mph (1.1 km/h) | 0.7 mph (1.1 km/h) |
| Maximum Drive Height | Full Height | Full Height |
| Capacity (Overall) | 900 lbs (408 kg) | 500 lbs (227 kg) |
| Distributed Capacity (Main Platform) | 600 lbs (159 kg) | 250 lbs (113 kg) |
| Distributed Capacity (Extension Deck) | 300 lbs (136 kg) | 250 lbs (113 kg) |
| Local Floor Load (With Rated Load) | 130 psi (897 kPa) | 130 psi (897 kPa) |
| Overall Floor Load (With Rated Load) | 245 psf (12 kPa) | 235 psf (12 kPa) |
| Maximum # of Persons | 2 | 2 |
| Wind Rating | 28 mph (12.5 m/s) | 28 mph (12.5 m/s) |
| Tire Type | Solid, N/M | Solid, N/M |
| Tire Size | 16 x 5 x 12 | 16 x 5 x 12 |



Head Office
Westside, London Road,
Hickstead, West Sussex,
RH17 5LZ

T 01444 88 11 88
F 01444 88 11 99
E hiredesk@facelift.co.uk
W facelift.co.uk

facelift
access and safety made easy