



SJ6826/32 RT

ROUGH TERRAIN SCISSORS

STANDARD FEATURES

- Crossover symmetrical 4WD
- Drivable at full height with roll out deck fully extended
- 5' (1.52 m) Roll out extension deck
- Dual fuel (gas/propane) or diesel engine
- 90° swing out engine tray
- Multiple wet disc spring applied hydraulic release brakes
- 110V AC outlet on platform with GFI
- Up to 50% Gradeability
- Foam-filled low profile grip lug tires
- Tilt alarm with drive & lift cut-out
- Lanyard attachment points
- All motion audible alarm
- Operator horn
- Hinged railing system
- Forklift pockets and tie down/lift lugs
- Full height spring hinged gate at rear of unit
- Relay based control system
- Color coded and numbered wiring system
- Telematics ready

ACCESSORIES AND OPTIONS

- Diesel scrubber for tier 4 final engine
- Independent/auto leveling outriggers
- Flashing light
- Positive air shut-off valve
- 2000W hydraulic generator
- Cold weather start package (Includes hydraulic oil tank heater, battery blanket, coolant or block heater)
- Non destructive testing
- Warranty Options (3 year or 5 year plans available)

TIRE OPTIONS

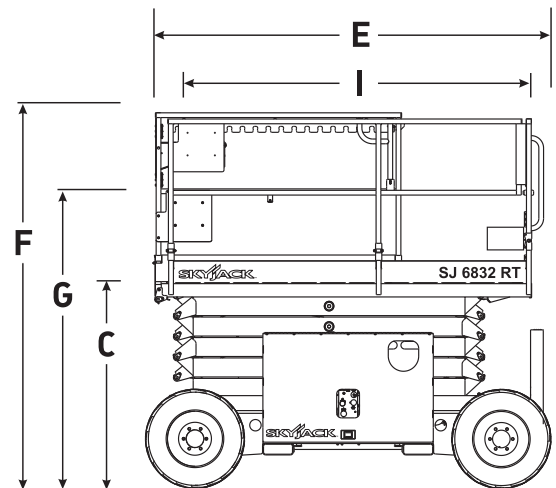
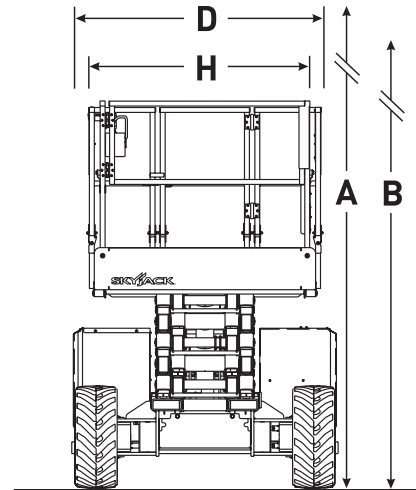
- Air-filled tires (6826RT)
- Foam-filled non-marking tires

* Standard lead times may be increased when optional equipment is added, consult factory.

† Capacities, and machine weights may differ when options are added.

SJ6826/32 RT ROUGH TERRAIN SCISSORS

Dimensions	SJ6826 RT	SJ6832 RT
A Work Height	32' (9.75 m)	38' (11.58 m)
B Raised Platform Height	26' (7.92 m)	32' (9.75 m)
C Lowered Platform Height	48.5" (1.23 m)	54" (1.37 m)
D Overall Width	69.5" (1.76 m)	69.5" (1.76 m)
E Overall Length	107" (2.72 m)	107" (2.72 m)
F Stowed Height (Rails Up)	93.5" (2.38 m)	99" (2.51 m)
G Stowed Height (Rails Down)	63.5" (1.61 m)	69" (1.75 m)
H Platform Width (Inside Dimension)	56" (1.42 m)	56" (1.42 m)
I Platform Length (Inside Dimension)	96" (2.44 m)	96" (2.44 m)
Specifications	SJ6826 RT	SJ6832 RT
Extension Deck	5' (1.52 m)	5' (1.52 m)
Ground Clearance	8" (0.20 m)	8" (0.20 m)
Wheelbase	80.5" (2.04 m)	80.5" (2.04 m)
Weight	6,400 lbs (2,903 kg)	7,660 lbs (3,475 kg)
Gradeability	50%	40%
Turning Radius (Inside)	60" (1.52 m)	60" (1.52 m)
Turning Radius (Outside)	156" (3.96 m)	156" (3.96 m)
Lift Time (With Rated Load)	36 sec	39 sec
Lower time (With Rated Load)	36 sec	36 sec
Drive Speed (Stowed)	3.8 mph (6.1 km/h)	3.8 mph (6.1 km/h)
Drive Speed (Raised)	0.4 mph (0.6 km/h)	0.4 mph (0.6 km/h)
Maximum Drive Height	Full Height	Full Height
Capacity (Overall)	1,250 lbs (567 kg)	1,000 lbs (454 kg)
Distributed Capacity (Main Platform)	950 lbs (431 kg)	700 lbs (318 kg)
Distributed Capacity (Extension Deck)	300 lbs (136 kg)	300 lbs (136 kg)
Local Floor Load (With Rated Load)	175 psi (1206 kPa)	181 psi (1248 kPa)
Overall Floor Load (With Rated Load)	281 psf (13 kPa)	297 psf (14 kPa)
Maximum # of Persons	4	4
Tire Type	Foam Filled	Foam Filled
Tire Size	26 x 12	26 x 12



Head Office
 Westside, London Road,
 Hickstead, West Sussex,
 RH17 5LZ

T 01444 88 11 88
 F 01444 88 11 99
 E hiredesk@facelift.co.uk
 W facelift.co.uk

facelift
 access and safety made easy