



SJ8831/41 RT

ROUGH TERRAIN SCISSORS

STANDARD FEATURES

- Axle based 4WD system
- “Detroit Locker” type rear differential and limited slip front differential
- Drivable at full height
- Dual fuel (gas/propane) or diesel engine
- Self-centering scissor design allows extension decks to be added to both ends
- 4’ (1.22 m) Roll out extension deck
- Disc brake system on rear axle
- 30% Gradeability
- 110V AC outlet on platform with GFI
- Tilt alarm with drive & lift cut-out
- All motion audible alarm
- Lanyard attachment points
- Tie down/lift lugs
- Operator horn
- Flashing light
- Fold down hinged railing system
- Half height spring hinged gates on both sides
- Grip Lug, air-filled tires
- Relay based control system
- Color coded and numbered wiring system
- Telematics ready

ACCESSORIES AND OPTIONS

- Dual 4’ (1.22 m) Roll out extension decks
- 3500W hydraulic generator
- Independent/auto leveling outriggers
- Diesel scrubber for tier 4 interim engine
- Full height spring hinged gates
- Cold weather start package (Includes hydraulic oil tank heater, battery blanket, coolant or block heater)
- Positive air shut-off valve
- Non destructive testing
- Warranty Options (3 year or 5 year plans available)

TIRE OPTIONS

- Grip lug foam-filled tires
- High flotation air-filled tires*
- Non-marking grip lug air-filled tires
- Non-marking grip lug foam-filled tires

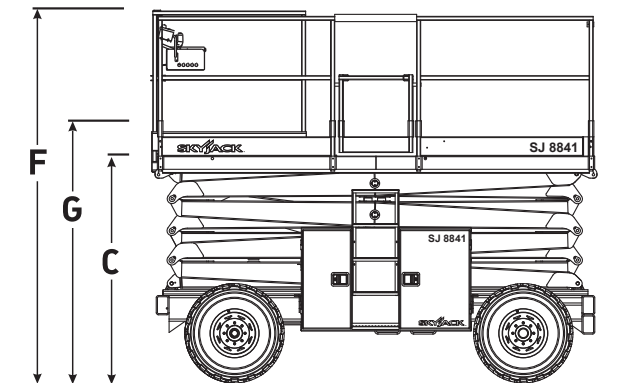
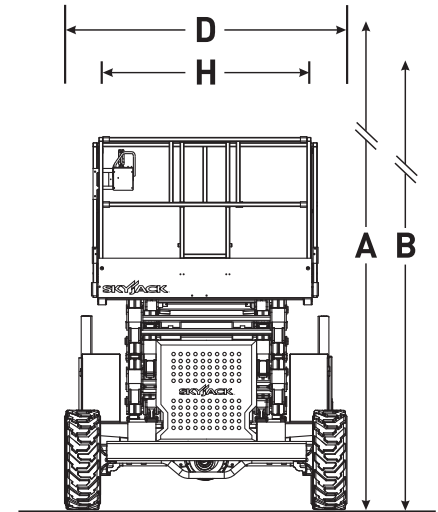
* Standard lead times may be increased when optional equipment is added, consult factory.

† Capacities, and machine weights may differ when options are added.

‡ Flotation type tires reduce capacity to 1,700 lbs on 8831, and reduces capacity to 1,250 lbs on 8841

SJ8831/41 RT ROUGH TERRAIN SCISSORS

Dimensions	SJ8831 RT	SJ8841 RT
A Work Height	37' (11.27 m)	47' (14.32 m)
B Raised Platform Height	31' (9.45 m)	41' (12.50 m)
C Lowered Platform Height	59" (1.50 m)	69" (1.75 m)
D Overall Width	87" (2.21 m)	87" (2.21 m)
E Overall Length	139" (3.53 m)	139" (3.53 m)
F Stowed Height (Rails Up)	105" (2.67 m)	114" (2.90 m)
G Stowed Height (Rails Down)	78.5" (1.99 m)	87.5" (2.22 m)
H Platform Width (Inside Dimension)	67" (1.70 m)	67" (1.70 m)
I Platform Length (Inside Dimension)	134" (3.40 m)	134" (3.40 m)
Specifications	SJ8831 RT	SJ8841 RT
Extension Deck	4' (1.22 m)	4' (1.22 m)
Ground Clearance	8" (0.20 m)	8" (0.20 m)
Wheelbase	89.3" (2.27 m)	89.3" (2.27 m)
Weight	9,980 lbs (4,527 kg)	10,880 lbs (4,935 kg)
Gradeability	30%	30%
Turning Radius (Inside)	158" (4.01 m)	158" (4.01 m)
Turning Radius (Outside)	248" (6.30 m)	248" (6.30 m)
Lift Time (With Rated Load)	58 sec	56 sec
Lower time (With Rated Load)	44 sec	53 sec
Drive Speed (Stowed)	3.5 mph (5.6 km/h)	3.5 mph (5.6 km/h)
Drive Speed (Raised)	0.6 mph (1 km/h)	0.6 mph (1 km/h)
Maximum Drive Height	Full Height	Full Height
Capacity (Overall)	2,000 lbs (907 kg)	1,500 lbs (680 kg)
Local Floor Load (With Rated Load)	135 psi (931 kPa)	136 psi (938 kPa)
Overall Floor Load (With Rated Load)	161 psf (8 kPa)	163 psf (8 kPa)
Maximum # of Persons	6	5
Tire Type	Air Filled	Air Filled
Tire Size	10 x 16.5	10 x 16.5



Model	Capacity With 1 Extension Deck*		Capacity With 2 Extension Decks*		
	Main	Front Ext.	Main	Front Ext.	Rear Ext.
SJ 8831	1,500 lbs (680 kg)	500 lbs (227 kg)	700 lbs (318 kg)	500 lbs (227 kg)	500 lbs (227 kg)
SJ 8841	1,000 lbs (454 kg)	500 lbs (227 kg)	500 lbs (227 kg)	500 lbs (227 kg)	500 lbs (227 kg)

Head Office
Westside, London Road,
Hickstead, West Sussex,
RH17 5LZ

T 01444 88 11 88
F 01444 88 11 99
E hiredesk@facelift.co.uk
W facelift.co.uk

facelift
access and safety made easy