



Compact

- With its compact dimensions (1.50 m x 0.76 m x 1.65 m) the Star 6 can be stored and transported easily...
- ... and goes easily through standard doorways and elevators.

Practical and Maneuverable

- Its narrow width (0.76 m) and its very tight turning radius (1.45 m) provide excellent maneuverability.
- Can be driven at full height for high productivity

Safe and comfortable

- With its proportional controls the Star 6 is smooth and comfortable to drive





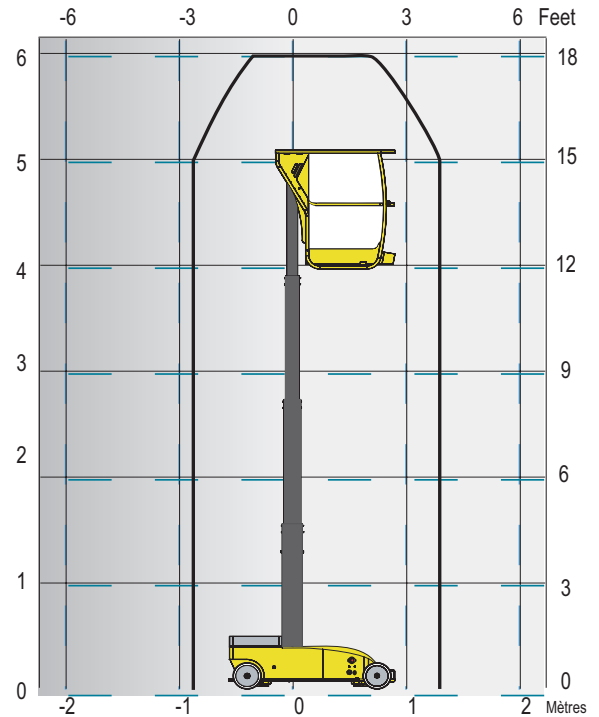
STAR 6

VERTICAL MASTS

TECHNICAL DATA

STAR 6

Working Height	6 m
Platform Height	4 m
Horizontal outreach	N/A
Lift capacity	180 kg
Platform size	0.80 x 0.68 m
Picking tray size	0 m
Picking tray lift capacity	0 kg
A Length	1.5 m
B Width	0.76 m
C Height - stowed	1.65 m
Tailswing	N/A
D Wheelbase	1.17 m
E Ground Clearance	7 cm
Drive speed proportional	0.5 - 5 km/h
Turning radius - outside	1.5 m
Turntable rotation	N/A
Tilt alarm	2°
Gradeability	20 %
Tires - non marking	250x60
Power source	24 V - 180 Amph (C5)
Weight	810 kg

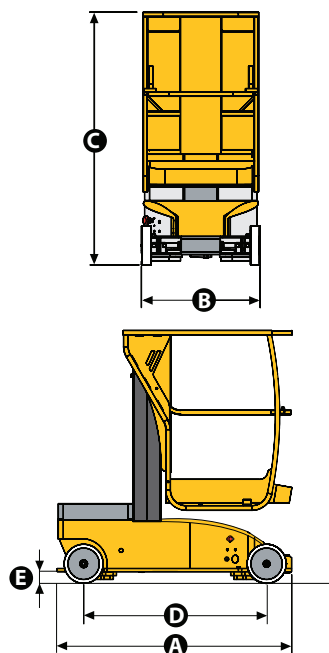


STANDARD EQUIPMENT

- 24V DC electric engine
- 24V - 180Amph semi-traction batteries
- 30Amp charger
- 2 drive speeds
- Non marking tyres
- Free wheeling device
- Hourmeter
- Horn in platform
- Emergency stop button
- Detachable control box with outlets in the basket or on the chassis
- Towing hooks

OPTIONS AND ACCESSORIES

- Flashing light
- Working light
- Motion alarm (all movements)
- Female plug in the basket
- Air line to platform



Head Office
Westside, London Road,
Hickstead, West Sussex,
RH17 5LZ

T 01444 88 11 88
F 01444 88 11 99
E hiredesk@facelift.co.uk
W facelift.co.uk

facelift
access and safety made easy