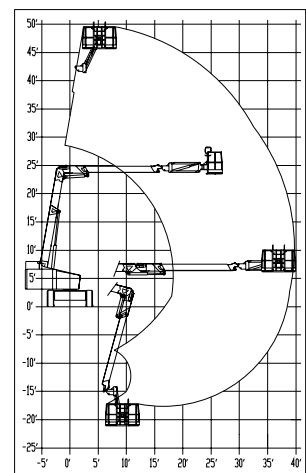


SJB-TK® SERIES ANSI/CSA SPECIFICATIONS

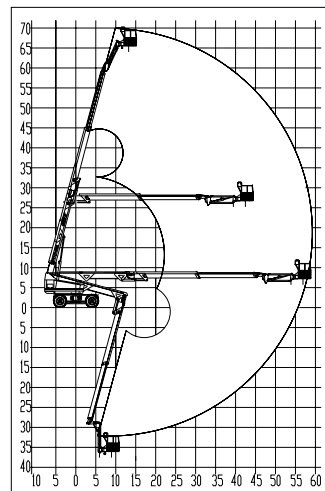
	46TK/*	66TK
Platform Height	46' (14.02m)	66' (20.12m)
Working Height	52' (15.85m)	72' (21.95m)
Jib Length	5' (1.52m)	6' (1.83m)
Platform Capacity (Unrestricted)	600lb (272kg)*	600lb (272kg)
Platform Size	30" x 72" (0.76m x 1.83m)	30" x 96" (0.76m x 2.44m)
Pivotal Height	24' (7.32m)	26' (7.92m)
Horizontal Reach (Centerline of Rotation)	25' (7.62m)	44' (13.41m)
Horizontal Reach (Clear Reach)	21' (6.4m)	40' (12.19m)
Horizontal Reach (Telescopic)	40' (12.19m)	59' (17.98m)
Reach at -0 Elevation	-21' (-6.40m)	-37' (-11.28m)
Travel Speed (Stowed)	0-3.5mph (0-5.63km/h)	0-3.5mph (0-5.63km/h)
Travel Speed (Elevated)	0-.8mph (0-1.29km/h)	0-.8mph (0-1.29km/h)
Gradeability	30+%	30+%
Turret Rotation (Continuous)	360°	360°
Stowed Height	8'1" (2.46m)	9'3" (2.82m)
Stowed Length	27'4" (8.41m)*	29'6" (8.99m)
Overall Width	8' (2.44m)	8' (2.44m)
Power Source	38hp gas	63hp gas
Tailswing	3'10" (1.17m)	4'4" (1.32m)
Hydraulic Tank Capacity	50gal (189.3L)	50gal (189.3L)
Fuel Tank Capacity	50gal (189.3L)	50gal (189.3L)
Inside Turning Radius	8'4" (2.54m)	8'4" (2.54m)
Outside Turning Radius	18'4" (5.59m)	18'4" (5.59m)
Wheelbase	8' (2.44m)	8' (2.44m)
Hydraulic system Pressure	2600psi (18MPa)	2600psi (18MPa)
Tire Size	14 x 17.5 (Air)	15 x 19.5 (Air)
Ground Clearance	12.5" (31.75cm)	12.5" (31.75cm)
Terrainability Scale	12.0	12.0
Vehicle Weight	18450lb (8,369kg)*	34600lb (15,694kg)

gww may vary to meet country standards or for optional equipment
 * SJB-46TK-RJ Weight 18700lb (8482 kg), Stowed Length 26'9" (8.46m), Capacity 500 (227kg)
 † Larger optional platform for both 46TK & 66TK unrestricted capacity of 500lb, with a 6 foot platform on the 66TK work height is reduced by 19".

REACH DIAGRAM 46TK



REACH DIAGRAM 66TK



OPTIONAL EQUIPMENT

- All motion Alarm
- Descent Alarm
- Travel Alarm
- Flashing Amber Light
- Operator Horn
- Spring Loaded 1/2 Gate
- Spring loaded full gate
- Dual Fuel (Gas/Propane)
- 3500 Watt Hyd. Generator
- Cold Weather Start Package
- Lifting Lugs
- 4 Wheel Drive
- Hostile Environment Package
- High flotation tires (increasing overall machine width to 8.5ft (2.59m)
- Foam filled tires
- 30" x 120" Platform
- Deutz Diesel Engine
- Chassis Lights
- Platform Work Lights
- Air or Hydraulic Line to Platform
- Platforms: 46TK-8' platform†
66TK-6' & 10' platform†

SKYJACK™

Corporate Sales Headquarters:
Skyjack Incorporated
 55 Campbell Road
 Guelph, Ontario N1H 1B9
 Canada
 Tel: (519) 837-0888
 Fax: (519) 837-8104
 North America: (800) 265-2738
 Overseas: +1-519-837-0888
 e-mail: skyjack@skyjackinc.com
 www.skyjackinc.com

REGISTERED TRADEMARKS



SKYJACK™
SKYDECK™

SKYJACK HAS MANUFACTURING, SALES AND PRODUCT SUPPORT FACILITIES LOCATED THROUGHOUT THE WORLD. CALL US FOR MORE INFORMATION.

Distributed by:



DESIGNED AND PRODUCED BY STACS INC. IN CONJUNCTION WITH SKYJACK INC. 1098 - 10M PRINTED IN CANADA

SJB-TK® SERIES



SKYJACK™



This literature is for illustrative purposes only. Consult Part/Operating & Service manuals for proper procedures. Work platforms have been tested with applicable standards as interpreted by Skyjack. Specifications subject to change without notice.

SJB-TK[®] SERIES

Skyjack takes you to the next level with the dynamic SJB-TK Series... the industry's only boom to include both telescopic and knuckle functions, offering unsurpassed versatility. And as if that was not enough... Skyjack's "TK" Series stands alone as the only telescopic knuckle boom that permits access to work obstacles below elevations of 21ft and 37ft. Skyjack's SJB-TK Series - the ultimate solution to your most challenging applications.



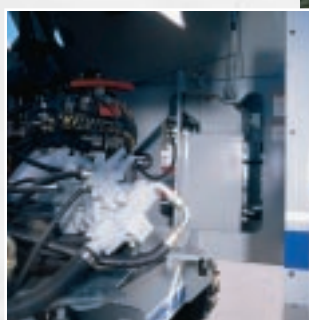
Optional Feature: Exclusive rotating jib option increases reach to work around obstacles. The rotating jib is capable of a 90° turn in either direction from center.

SJB-46TK[®]

POWERFUL. VERSATILE. EFFICIENT.

The 46TK is capable of 360° continuous turret rotation and is driveable at full height. Standard features include; a 5ft hydraulic jib, a 6ft platform with 600lb unrestricted platform capacity and a 52ft work height above elevation (-21ft below elevation). The 46TK makes getting to the job easier than ever before. Designed to tackle even the roughest terrain, the energy efficient drive system overcomes almost any obstacle.

Model shown: **SJB-46TK-RJ** with rotating jib.



Unique to the SJB-46TK is the **pendulum weight** mechanism that transfers and distributes weight regardless of boom function or position.



THE SJB-TK[®] SERIES IS BIG ON STANDARD FEATURES

- Telescopic or Knuckle Boom (You make the choice)
- Working heights to 72ft
- Fully proportional drive & boom controls with load sensing - pressure compensated system
- Driveable at full height (0 - 8mph)
- 600lb unrestricted capacity with standard platform
- 6ft (46TK) or 8ft (66TK) platform standard
- End mount platform with recessed top rail
- Powered platform rotator (180 degrees)
- 5ft (46TK) & 6ft (66TK) Hydraulic Jib
- User friendly control console
- High torque, energy efficient drive system
- Gasoline Engine
- 360 degree continuous turret rotation
- Drive speeds from 0 - 3.5mph
- 30% + gradeability
- 12V DC emergency power for all lift functions
- Engine anti-restart protection
- Engine monitoring gauges (base)
- Directional sensing for drive and steer
- 110V AC outlet on platform with GFI
- Dual axle spring applied, hydraulically released internal parking brakes
- Tilt alarm with drive/lift cut-out
- Operator, Parts & Service manuals
- 5-1-4 Warranty (The Industry's Best)
- ANSI and CSA compliant



Tie downs - assist with securing the unit for transport.



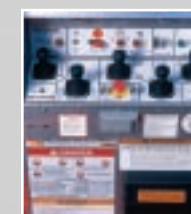
Standard Platform (6ft on 46TK) (8ft on 66TK)



Cabinets swing open and engine pulls out for superior serviceability.



Base controls - override platform controls and permit operation from base for service and testing.



Platform controls are user friendly and allow for smooth operation and maneuverability.



180° powered platform rotator, which functions regardless of jib location.



Hydraulic Jib shows 155° range of motion.



The TK Series is **designed to tackle even the roughest terrain.**



SJB-66TK with optional 4 wheel drive package.



SJB-66TK[®]

RUGGED. DEPENDABLE. COMMANDING REACH.

Skyjack's unique SJB-66TK has a 72ft work height above elevation (-37ft below elevation), a 6ft hydraulic jib and an 8ft standard platform with a 600lb unrestricted capacity. These units are driveable at full height and offer continuous 360° turret rotation.

The SJB-66TK is designed to handle rugged terrain - its energy efficient, high performance drive system is second to none. When you need to solve complex and daunting access challenges, the Skyjack SJB-66TK is the ultimate solution.

