

UpRight AB46

boom lifts

Self-propelled articulated

Working heights
to 52ft. 4ins. (16.1m)

Excellent working outreach
of 24ft. 6ins. (7.5m) with a
clearance height of up to
25ft. 8ins. (7.8m)

Electric proportional
controls

Jib length of 5ft. (1.5m)

2WD or 4WD
rough terrain

Ultra-tight inside turning
radius of 24ins. (0.6m)

Large 69ins. x 39ins.
(1.75m x 1.0m)
working platform

Five year
structural warranty

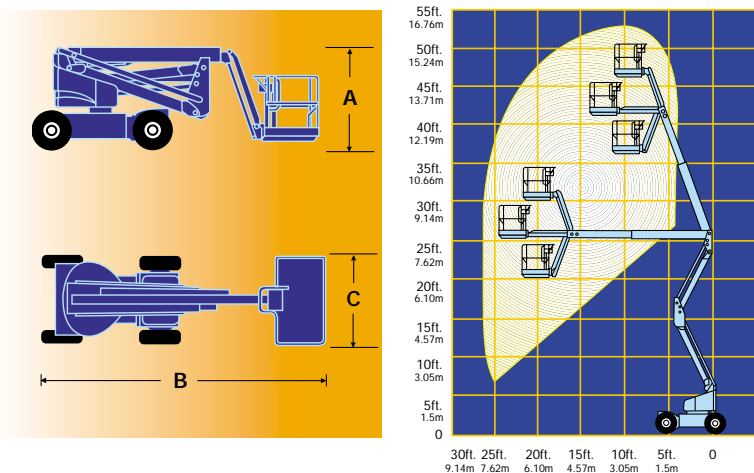


Photograph shown CE model

specifications	AB46 2WD Electric	AB46 2WD Bi Energy	AB46RT 4WD Diesel	AB46RT 4WD Dual Fuel
working height	52ft. 4ins. (16.1m.)	52ft. 4ins. (16.1m.)	52ft. 4ins. (16.1m.)	52ft. 4ins. (16.1m.)
platform height	46ft. 4ins. (14.1m.)	46ft. 4ins. (14.1m.)	46ft. 4ins. (14.1m.)	46ft. 4ins. (14.1m.)
horizontal outreach	24ft. 6ins. (7.5m.)	24ft. 6ins. (7.5m.)	24ft. 6ins. (7.5m.)	24ft. 6ins. (7.5m.)
jib length	5ft. (1.5m.)	5ft. (1.5m.)	5ft. (1.5m.)	5ft. (1.5m.)
jib arc	140°	140°	140°	140°
platform size - outside	39ins. x 69ins. (1.0m. x 1.75m.)	39ins. x 69ins. (1.0m. x 1.75m.)	39ins. x 69ins. (1.0m. x 1.75m.)	39ins. x 69ins. (1.0m. x 1.75m.)
platform capacity	500lbs. (227kg.)	500lbs. (227kg.)	500lbs. (227kg.)	500lbs. (227kg.)
platform rotation	140°	140°	140°	140°
turret rotation	360° non-continuous	360° non-continuous	360° non-continuous	360° non-continuous
stowed height (A)	6ft. 7ins. (2.0m.)	6ft. 7ins. (2.0m.)	7ft. 2ins. (2.13m.)	7ft. 2ins. (2.13m.)
stowed length (B)	17ft. 10ins. (5.43m.)	17ft. 10ins. (5.43m.)	17ft. 10ins. (5.43m.)	17ft. 10ins. (5.43m.)
stowed width (C)	5ft. 9ins. (1.75m.)	5ft. 9ins. (1.75m.)	6ft. 7ins. (2.0m.)	6ft. 7ins. (2.0m.)
inside turning radius	24ins. (0.60m.)	24ins. (0.60m.)	24ins. (0.60m.)	24ins. (0.60m.)
outside turning radius	9ft. 10ins. (3.0m.)	9ft. 10ins. (3.0m.)	9ft. 10ins. (3.0m.)	9ft. 10ins. (3.0m.)
tailswing - stowed	0	0	0	0
drive speed - boom stowed	3.5mph (5.64km/h.)	3.5mph (5.64km/h.)	5.3mph (8.5km/h.)	5.3mph (8.5km/h.)
drive speed - boom elevated	0.5mph (0.8km/h.)	0.5mph (0.8km/h.)	0.4mph (0.64km/h.)	0.4mph (0.64km/h.)
gradeability	30% (17°)	30% (17°)	40% (22°)	40% (22°)
energy source	8 6V 350 Ah batteries	8 6V 350 Ah batteries/Kubota ZB600	Kubota	Nissan
tires US CE	air-filled poly-filled	air-filled poly-filled	air-filled poly-filled	air-filled poly-filled
ground clearance	6ins. (152mm.)	6ins. (152mm.)	13ins. (0.33m.)	13ins. (0.33m.)
toeboards	6ins. (152mm.)	6ins. (152mm.)	6ins. (152mm.)	6ins. (152mm.)
guardrail height	45ins (1.14m.)	45ins (1.14m.)	45ins (1.14m.)	45ins (1.14m.)
gross weight	14,300lbs. (6,486kg.)	14,500lbs. (6,575kg.)	14,660lbs. (6,650kg.)	14,460lbs. (6,600kg.)
cycle time to full height	66 secs.	66 secs.	66 secs.	66 secs.

*Working height in the U.S. is 6 ft. above platform height. Metric working height is 2m above platform height.

Specifications subject to change without notice. Photos and diagrams in this brochure are for promotional purposes only. Refer to appropriate UpRight Operator's manual for detailed instructions on the proper use and maintenance of this equipment.



standard features

- Multi-function, variable speed platform controls
- Oscillating front axle (4WD model only)
- Proportional controls
- Power to platform
- Hour meter
- Battery charge indicator (CE only)
- Wide rough terrain tires (4WD models only)
- 1 year parts/service
- 5 year structural warranty

options

- Motion alarm
- Flashing amber beacon
- Diesel scrubber (Diesel models only)
- Battery charge indicator (Electric/Bi-Energy U.S. only)
- Poly-filled tires (U.S.)
- Air-filled tires (CE.)
- Battery charge indicator (Bi-Energy U.S. 2WD only)
- Special paint colors
- Environmental green oil

Meets or exceeds applicable requirements of OSHA and ANSI A92.6 - 1999.



This product is available with the CE mark confirming compliance with all relevant European Machinery Directives

manufactured by

UpRight