



# Mobile elevating work platform WT 230/270/300

## Product information

- Telescopic mobile elevating work platform with a 4-section (at WT 230 3-section) extension boom and a cage boom with 195° action angle
- Absolute stability through single controlled hydraulic H-type stabilisers, sloping at the front and straight at the rear, to be controlled from the cage
- Cage placed at the rear of the vehicle, therefore comfortable access from the ground and direct reach of the object
- Assembled onto 7,49 t chassis

## Special features

- Excellent manoeuvrability in traffic through compact and lightweight design
- Smooth and jolt free running of the telescopes through optimised slide bearings and deformation resistant hexagon profiles
- No sideways overhang of the turntable into traffic lane
- Finely adjustable and robust electronic-hydraulic control by CAN-BUS technology
- Forced guide control of the electronic-hydraulic cage levelling system; examination of the control signals via SPC
- Electronically controlled "Load moment limiting system" defines the working envelope, depending on current cage load and stabiliser configuration
- Bearings are maintenance free
- Optimal protection of all supply- and control lines from external damage; prevents breakdowns and costly repairs

## Operation areas

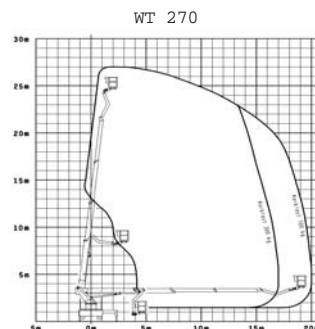
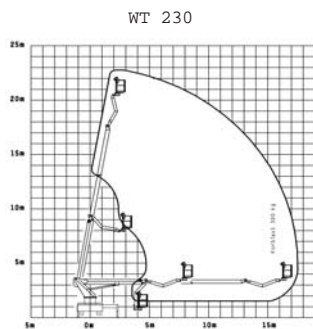
- Rental companies
- Municipal authorities
- Municipal services
- Power supply companies
- Tree cutters
- Aeroplane maintenance companies
- Forestry workers
- Glass and exterior cleaning
- Craftsmen
- Pest control
- Telecommunication companies

- TV and film work
- Transport companies
- Installation and assembly companies

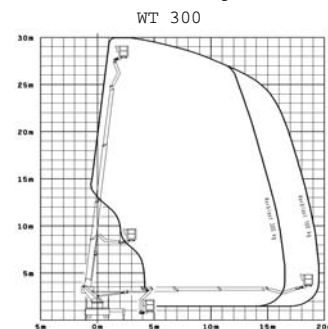
## Standard equipment

- Aluminium cage, 2 x 80° rotatable
- semi-automatic stabilising system
- semi-automatic cage centering
- 2 anchor points for safety harnesses
- Diagnosis and information system (display)
- End-stop damping of all movements
- Engine start/stop from all control panels
- Electric power line 230V/10A with residual current operated device
- Bracket for the spare wheel
- High quality 2-Component acrylic paintwork of the unit as required
- Assembly of the platform onto a suitable chassis
- CE-Mark, Declaration of Conformity, Test certificate
- Mud guards for the wheels
- Check according to local vehicle and traffic regulations (StVZO)

- Extensive anti-corrosive package
- Possibility to change the cage
- Fault diagnosis by help of graphic display in the control panel
- emergency lowering system\*
- Cage boom movement without stabilising\*
- Aluminium side walls mounted on the chassis decking\*
- semi-automatic self retracting of the machine with a button in the cage ("Home function")\*
- Buzzer in the driver's cab; call button in the cage\*



\* at WT 230 with extra charge



- Secondary control at the base, utilisable as emergency control
- Illumination of the control panels
- Stable chassis covering of aluminium bulb plate
- Hydraulic pump

- Cage overload prevention system according to EN 280
- Prepared for earthing
- Cage contact safeguard
- Protective cover for the control panel

## Additional equipment\*

- 4 Spreader plates with bracket\*\*
- 24V Battery pump
- Height limitation
- Memory function
- Rotating warning beacon
- Tool and material box
- Roadmarker cones with bracket
- Halogen working light
- Timber handrail on the cage
- Holding device for chain saw
- Dividing screen
- Tree trimming cage
- Intercom system
- Earthing impact equipment
- Parallel drive function
- Mobile secondary control
- Electric drive 230V
- Biologic hydraulic oil

\*\* standard with WT 270

(More additional equipment on request)

We reserve our right for alterations in technology, development and equipment without prior notice.

Technical Data	WT 230	WT 270	WT 300
Working height max.	22,75 m	27,00 m	30,00 m
Cage floor height max.	20,75 m	25,00 m	28,00 m
Sideways outreach max.***	17,50 m	20,00 m	19,00 m
Cage load max.	300 kg	300 kg	300 kg
Turntable rotation with end stop damping	540°	540°	540°
cage boom angle	195°	195°	195°
swivel range of the cage	2 x 80°	2 x 80°	2 x 80°
Measurements of the cage (L x W x H) 1,60 m x 0,80 m x 1,10 m			
Travelling length approx.***	8,05 m	8,05 m	8,53 m
Travelling height approx.***	3,50 m	3,50 m	3,45 m
G.V.W min.***	7,49 t	7,49 t	7,49 t

\*\*\* depending on the vehicle