

Specifications

Models	Z-45/25 RT		Z-45/25J RT	
Measurements	Metric	US	Metric	US
Working height maximum*	15.97 m	51 ft 10 in	16.05 m	52 ft 1 in
Platform height maximum	13.97 m	45 ft 10 in	14.05 m	46 ft 1 in
Horizontal reach maximum	7.49 m	24 ft 7 in	7.52 m	24 ft 8 in
Up and over clearance maximum	7.14 m	23 ft 5 in	7.14 m	23 ft 5 in
A Platform length	0.76 m	2 ft 6 in	0.76 m	2 ft 6 in
B Platform width	1.83 m	6 ft	1.83 m	6 ft
C Height - stowed	2.13 m	7 ft	2.13 m	7 ft
D Length - stowed	5.38 m	17 ft 8 in	6.65 m	21 ft 10 in
E Width	2.29 m	7 ft 6 in	2.29 m	7 ft 6 in
F Wheelbase	2.03 m	6 ft 8 in	2.03 m	6 ft 8 in
G Ground clearance - center	0.37 m	1 ft 2.5 in	0.37 m	1 ft 2.5 in

Productivity

Lift capacity	227 kg	500 lbs	227 kg	500 lbs
Platform rotation	180°	180°	160°	160°
Vertical Jib rotation	—	—	135°	135°
Turntable rotation	355° non-continuous		355° non-continuous	
Turntable tailswing	zero	zero	zero	zero
Drive speed - stowed	7.24 km/h	4.5 mph	7.24 km/h	4.5 mph
Drive speed - raised **	1.00 km/h	0.61 mph	1.00 km/h	0.61 mph
Gradeability - 4WD - stowed***	45%	45%	45%	45%
Turning radius - inside	1.68 m	5 ft 6 in	1.68 m	5 ft 6 in
Turning radius - outside	4.50 m	14 ft 9 in	4.50 m	14 ft 9 in
Controls	12 V DC proportional		12 V DC proportional	
Tyres	355/55 D20		355/55 D20	

Power

Power source	Deutz diesel D2011L03i 3 cylinder diesel 35.8 kW (48 hp) Perkins diesel 404-D22 4 cylinder diesel 38 kW (51 hp)			
Auxiliary power unit	12 V DC		12 V DC	
Hydraulic tank capacity	83 L	22 gal	83 L	22 gal
Fuel tank capacity	64.4 L	17 gal	64.4 L	17 gal

Sound & Vibration Levels

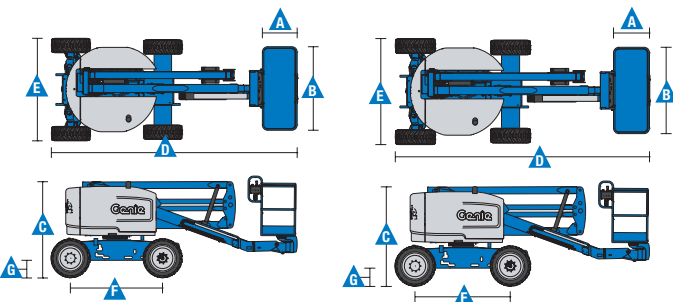
Sound pressure level (ground workstation)	87 dBA	87 dBA	87 dBA	87 dBA
Sound pressure level (platform workstation)	82 dBA	82 dBA	82 dBA	82 dBA
Vibration	<2.5 m/s ²	<8 ft 2 in/s ²	<2.5 m/s ²	<8 ft 2 in/s ²

Weight****

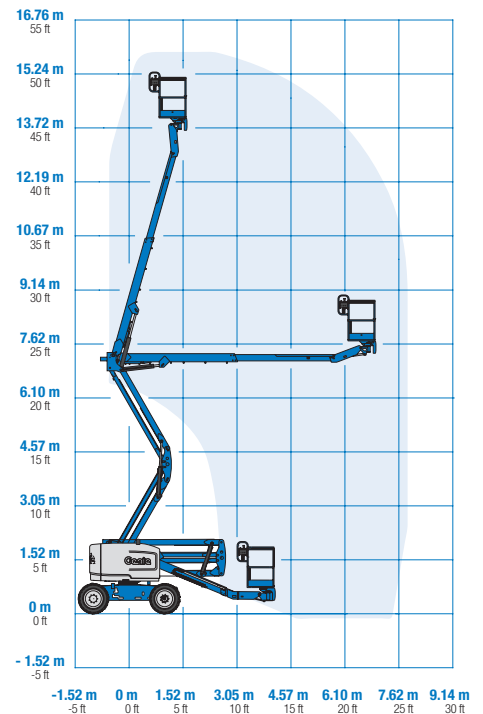
CE 4WD (air tyres)	6,078 kg	13,400 lbs	6,123 kg	13,500 lbs
CE 4WD (foam filled tyres)	6,415 kg	14,144 lbs	6,460 kg	14,244 lbs

Standards Compliance

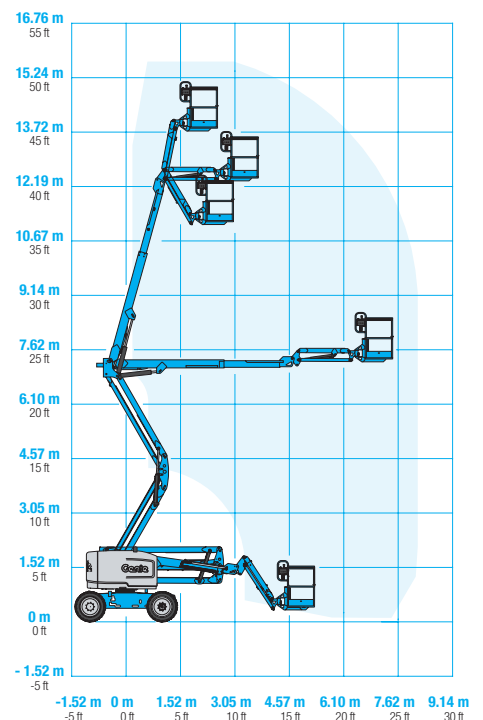
EU Directives: 2006/42/EC - Machinery Directive
Harmonized Standards: EN280:2001+A2:2009; 2004/108/EC (EMC); 2000/14/EC (Outdoor Noise)



Range Of Motion Z-45/25 RT



Range Of Motion Z-45/25J RT



* The metric equivalent of working height adds 2 m to platform height. U.S. adds 6 ft to platform height.
** In lift mode (platform raised), the machine is designed to operate on firm, level surfaces only.
*** Gradeability applies to driving on slopes. See operator's manual for details regarding slope ratings.
**** Weight will vary depending on options and/or country standards.

Features

Standard Features	Easily Configured To Meet Your Needs	Options & Accessories
<p>Measurements</p> <p>Z-45/25 RT</p> <ul style="list-style-type: none"> • 15.97 m (51 ft 10 in) working height • 7.49 m (24 ft 7 in) horizontal reach • 7.14 m (23 ft 5 in) up and over clearance • Up to 227 kg (500 lbs) lift capacity <p>Z-45/25J RT</p> <ul style="list-style-type: none"> • 16.05 m (52 ft 1 in) working height • 7.52 m (24 ft 8 in) horizontal reach • 7.14 m (23 ft 5 in) up and over clearance • Up to 227 kg (500 lbs) lift capacity <p>Productivity</p> <ul style="list-style-type: none"> • Self-levelling platform • Hydraulic platform rotation • Proportional joystick controls • Thumb rocker steering • Drive enable • AC power cord to platform • Horn • Hour meter • Tilt alarm • Descent & travel alarms • Flashing beacon • 355° non-continuous turntable rotation • Positive traction drive • Two speed wheel motors • Certified load sensor <p>Power</p> <ul style="list-style-type: none"> • 12 V DC auxiliary power • Engine protection package • Deutz intake air heater • Swing out engine tray 	<p>Platform Options</p> <ul style="list-style-type: none"> • Steel 1.83 m (6 ft) (standard) • Steel 1.17 m (3 ft 10 in) (option) • Steel 1.83 m (6 ft) tri-entry (option) <p>Jib Options</p> <ul style="list-style-type: none"> • Non-jib • Articulating 1.52 m (5 ft) jib boom <p>Power Options</p> <ul style="list-style-type: none"> • Deutz diesel 35.8 kW (48 hp) • Perkins diesel 38 kW (51 hp) <p>Drive Options</p> <ul style="list-style-type: none"> • 4 x 4 <p>Axle Options</p> <ul style="list-style-type: none"> • Active oscillation <p>Tyre Options</p> <ul style="list-style-type: none"> • Rough terrain air-filled (standard) • Rough terrain foam-filled • Rough terrain non-marking (air or foam-filled) 	<p>Productivity</p> <ul style="list-style-type: none"> • Platform top auxiliary rail • Air line to platform • Power to platform (incl. plug, socket and ground fault interrupt leakage on request) • Work lights package (2 on chassis, 2 on platform) • Dual axis joystick steering • Biodegradable hydraulic oil • Hostile environment kit ⁽¹⁾: cylinder bellows, boom wiper seals and platform control box covers • Aircraft protection kit ^(1,4): platform foam padding and padded disable system (available on Jib models only) • Tilt cut-out option • Track & Trace ⁽²⁾ (GPS unit providing machine location & operating information) • Panel cradle package ⁽¹⁾ (requires foam filled tyres & tri-entry platform) • Lockable platform control box cover • Tool tray • Operator Protective Structure • Operator Protective Alarm <p>Power</p> <ul style="list-style-type: none"> • Diesel catalytic scrubber muffler with spark arrestor • Engine gauge package (oil pressure & temperature) • AC generator packages (110V/60Hz - 220V/50Hz, 3000W) • Deutz V-belt Generator kit ⁽³⁾ (110V-220V) • Low temperature cut-out module • Engine heater option ⁽³⁾ • Refinery kit with spark arrestor and electric or mechanical Chalmers valve ⁽³⁾



⁽¹⁾ Factory-fit option only
⁽²⁾ Includes a first 2 years subscription
⁽³⁾ Available with Deutz engine only
⁽⁴⁾ Reduces platform load capacity to 440 lbs

Head Office
 Westside, London Road,
 Hickstead, West Sussex,
 RH17 5LZ

T 01444 88 11 88
 F 01444 88 11 99
 E hiredesk@facelift.co.uk
 W facelift.co.uk

facelift
 access and safety made easy